



Materials of Construction

Sleeve

Rolled Steel to SANS 1431 Grade 350 WA or EN 10025 - S355 JR. Alternatively all Stainless Steel 304 or 316

End Rings

Carbon Steel to SANS 1431 Grade 350 WA or EN 10025 - S355 JR. Alternatively all Stainless Steel 304 or 316

Protective Coating

Fusion Bonded Epoxy to 300 microns as standard

Gaskets

EPDM to SABS 974/ ISO 4633

Nuts and Bolts

Steel to SANS 1143 Grade 8.8 Hot Dipped Galvanised to SANS 763. Alternatively all Stainless Steel 304 or 316

Washers

Steel Hot Dipped Galvanised to SANS 763. Alternatively all Stainless Steel 304 or 316

Size and Pressure Range

REXUS manufactures couplings for Pipe OD's of DN40 to DN1600 and for pressures ratings PN10 to PN40.

Site Test Pressure

Site test pressure is 1.5 x working pressure.

REXUS KII SmartFit Wide Range and Large Bore Couplings

The REXUS KII range of Couplings Flange Adaptors and Dismantling Joints are 100% locally manufactured and have been utilised on some of the most significant projects in South Africa. In addition, our products are exported to several countries.

Factors that distinguish REXUS KII Coupling products from competing products are:

Moulded Rubber Gaskets - all our rubber gaskets, regardless of size are moulded and not glued providing a superior performance.

Rubber Gasket Thickness and Profile - all our gaskets have a specific ribbed sealing profile to ensure drip-tight sealing regardless of the pipe surface.

In addition, the thickness of our rubber gasket coupled with the specific angle of our flared ends provide a deep gasket chamber and allows for maximum possible pipe adjustment.

Fusion Bonded Epoxy Coating - all our Couplings regardless of size are fusion bonded epoxy coated to 300 microns as standard. Couplings exposed to sunlight are coated with an additional UV resistant coating.

Longer Standard Barrels - Our Coupling barrels are as standard, as long as some competitors "long" barrel couplings, at no additional cost to better allow for expansion and contraction of various types of pipe.

Short Lead Times - REXUS is rapidly becoming the company of choice to design, manufacture and supply couplings for emergency conditions. Our standard turnaround time for emergency items is 24 to 48 hours and for out of stock standard items in large batches is 5 to 10 days.

All our Couplings are 100% locally manufactured.

Technical Expertise and Aftersales backup - REXUS is a designer, manufacturer and supplier of all pipeline related products. We therefore have an in depth understanding on pipeline material selection, valve performance and complex pipeline phenomena such as Surge and Waterhammer. We bring all our expertise to bear in every recommendation and back up our products with unparalleled sale and aftersales support - try us!

KII SmartFit and Dedicated Couplings

REXUS KII Couplings are uncomplicated. Our standard Coupling consists of a Centre Sleeve located between two Rubber Gaskets which are in turn housed inside two End Rings. When the captivated 'Dee' or 'Oval' cup Bolts are tightened, the End Rings draw closer to one another compressing the tapered rubber Gaskets between the pipe outside surface and Coupling Sleeve inner surface. This results in a flexible leak-tight compression seal between the two pipes.

The captivated head of the Bolt prevents the Bolt from rotating when the Nuts are tightened. This allows for assembly utilizing only one spanner.

The more the Bolts are tightened the greater the compression force exerted on the rubber Gasket. At the specified torque ratings the Coupling assembly will result in a permanent leak proof connection between two plain-ended pipes.

REXUS KII Couplings have the ability to absorb expansion and contraction in pipeline which results from temperature variations. In addition, REXUS KII Couplings accommodate a specified degree of pipeline deflection which may result from lateral displacement and ground settlement.

KII SmartFit Wide Range Couplings

Nuts and Washers

BS 970 Grade 070 M020

Hot Dipped Galvanised to SANS 763 as standard.
Other coating available on request. Stainless Steel 304 or 316 available on request.

Rubber Gasket

EPDM to ISO 4633/ SANS 974

Unique design allows for 8° deflection in pipe as tested by SABS

Wide tolerance of up to 34mm variances in pipe Diameter eases installation and reduces stock holding

Centre Sleeve

Steel: SABS 1431 Gr. 300 WA or Gr. 350 WA or EN 10025 - S355 JR - Fusion Bonded Epoxy Coated to 300 microns as standard
Alternatively: Stainless Steel 304 or 316

KII Couplings have longer sleeve to better allow for expansion and contraction

KII Couplings have flared ends to a specific angle to provide a deep gasket chamber which allows for maximum possible pipe adjustment.

Bolts

BS 970 Grade 070 M020

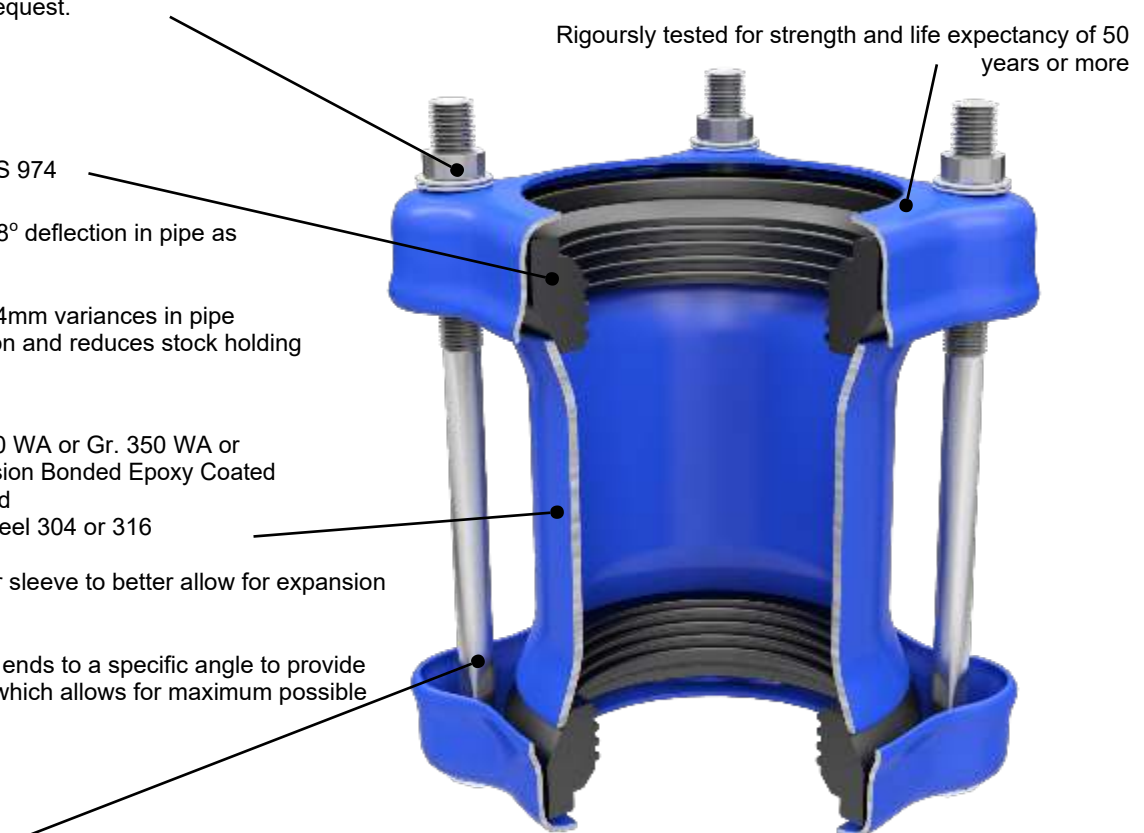
Hot Dipped Galvanised as standard. Other coatings or Stainless Steel 304 or 316 available upon request.

Captive, non rotating bolt head require just one spanner to install.

End Ring

Steel: Steel to SANS 1431 Grade 300 or Grade 350 WA or EN 10025 - S355 JR - Fusion Bonded Epoxy Coated to 300 microns as standard
Alternatively: Ductile Iron: BS 2789 Gr. 420/12

Rigoursly tested for strength and life expectancy of 50 years or more

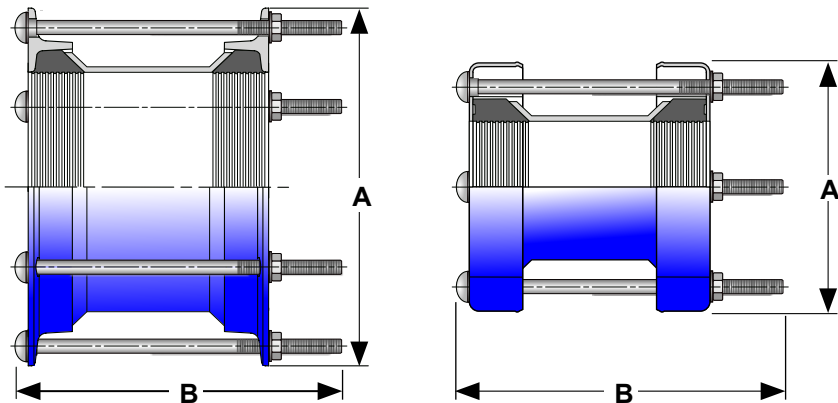


Coating - Centre Sleeve and End Rings

High impact, abrasion, weather and chemical resistant
Fusion Bonded Epoxy to 300 microns as standard.
Other coatings available upon request.

All Stainless Steel 304 or 316 available upon request

Overall Dimensions KII Wide Range SmartFit Couplings



REXUS KII Couplings can be manufactured to any pipe OD from DN50 up to DN1600 as standard and Pressure Ratings PN10, PN16, PN25 and PN40 as standard.

Site Test pressure is 1.5 times working pressure.

Nominal Bore (mm)	Pipe O.D. Range in mm	Standard				Long Barrel			
		Order Code	A mm	B mm	Weight Kg	Order Code	A mm	B mm	Weight Kg
50mm	59-73	KII0050	154	220	3	KII0050 LGB	154	290	3.1
50mm	59-78	KII0050/2	173	220	3.5	KII0050/2 LGB	173	290	3.6
65mm	74-90	KII0065	185	220	4.2	KII0065 LGB	185	290	4.3
80mm	83-102	KII0080/2	197	220	4.5	KII0080/2 LGB	197	290	4.7
100mm	108-118	KII0100	207	220	4.5	KII0100 LGB	207	290	4.7
100mm	109-128	KII0100/2	223	220	7.2	KII0100/2 LGB	223	290	7.5
125mm	135-153	KII0125	257	220	8.0	KII0125 LGB	257	290	8.2
150mm	159-170	KII0150	266	220	9.0	KII0150 LGB	266	325	9.3
150mm	159-182	KII0150/2	286	220	10.0	KII0150/2 LGB	286	325	10.3
150mm	180-193	KII0150/3	293	220	10.5	KII0150/3 LGB	293	325	10.8
175mm	190-205	KII0175	304	290	12	KII0175 LGB	304	325	12.3
200mm	218-234	KII0200	335	290	12.5	KII0200 LGB	335	325	12.8
225mm	239-250	KII0225	351	290	13	KII0225 LGB	351	325	13.3
225mm	250-267	KII0225/2	369	290	13.5	KII0225/2 LGB	369	325	13.8
250mm	273-286	KII0250	387	290	15.5	KII0250 LGB	387	325	15.8
250mm	286-304	KII0250/2	408	290	16	KII0250/2 LGB	408	435	16.3
300mm	302-318	KII0275	430	290	18	KII0275 LGB	430	435	18.4
300mm	315-332	KII0300	464	290	20	KII0300 LGB	464	435	20.4
350mm	334-350	KII0300/2	484	290	19	KII0300/2 LGB	484	435	19.4
350mm	344-360	KII0300/3	474	290	21	KII0300/3 LGB	474	435	21.4
350mm	356-372	KII0350	500	290	21.5	KII0350 LGB	500	435	21.5
350mm	374-391	KII0350/2	522	290	22	KII0350/2 LGB	522	435	22.5
400mm	391-410	KII0400	531	290	22.5	KII0400 LGB	531	435	23
400mm	401-417	KII0400/2	550	290	23	KII0400/2 LGB	550	435	23.5
400mm/2	417-437	KII0400/3	559	290	24.5	KII0400/3 LGB	559	435	24.9
450mm	430-446	KII0400/4	573	290	26	KII0400/4 LGB	573	435	26.5
450mm	444-460	KII0450	588	290	27	KII0450 LGB	588	435	27.5
450mm	458-474	KII0450/2	602	290	29	KII0450/2 LGB	602	435	29.6
450mm	477-493	KII0450/3	644	290	30	KII0450/3 LGB	644	435	30.6
500mm	494-510	KII0450/4	623	290	32	KII0450/4 LGB	623	435	32.6
500mm	520-532	KII0500	659	290	33	KII0500 LGB	659	435	33.6
500mm/2	530-546	KII0500/2	706	290	33.2	KII0500/2 LGB	706	435	33.8
500mm/3	556-572	KII0500/3	685	290	33.5	KII0500/3 LGB	685	435	34.1
600mm	583-593	KII0550	730	290	34	KII0550 LGB	730	435	34.6
600mm	606-616	KII0600	730	290	35	KII0600 LGB	730	435	35.6
600mm	629-638	KII0600/2	752	290	36	KII0600/2 LGB	752	435	36.7

Materials of Construction & Relevant Standards

Couplings

Sleeve - Rolled Carbon Steel to SANS 1431 Grade 350 WA or EN 10025 - S355 JR

End Rings - Carbon Steel to SANS 1431 Grade 350 WA or EN 10025 - S355 JR

All Stainless Steel 304 or 316 construction on request

Protective Coating

Fusion Bonded Epoxy - 300 microns as standard

Gaskets

EPDM to SABS 974/ ISO 4633

Bolts & Nuts

Nuts and Bolts - Steel to SANS 1143 Grade 8.8 Hot Dipped Galvanised to SANS 763

- Stainless Steel 304 or 316 on request

Washers - Steel Hot Dipped Galvanised to SANS 763

- Stainless Steel 304 or 316 on request

KII Large Bore Couplings

Nuts and Washers

BS 970 Grade 070 M020

Hot Dipped Galvanised to SANS 763 as standard.
Other coating available on request.

Alternatively: Stainless Steel 304 or 316 available on request.

End Ring
Steel: Steel to SANS 1431 Grade 300 WA or Grade 350 WA
or EN 10025 - S355 JR - Fusion Bonded Epoxy Coated
to 300 microns as standard

Alternatively: All Stainless Steel 304 or 316

Rigoursly tested for strength and life expectancy of 50 years or more

Rubber Gasket

EPDM to ISO 4633/ SANS 974

Unique design allows for 8° deflection in pipe as tested by SABS

Coating - Centre Sleeve and End Rings

High impact, abrasion, weather and chemical resistant
Fusion Bonded Epoxy to 300 microns as standard. Other coatings available upon request.

All Stainless Steel 304 or 316 available upon request

Centre Sleeve

Steel: SABS 1431 Gr. 350 WA or EN 10025 - S355 JR - Fusion Bonded Epoxy Coated to 300 microns as standard

Alternatively: Stainless Steel 304 or 316

Longer sleeve to better allow for expansion and contraction of pipe

Flared ends to provide deep gasket chamber and allow for maximum possible pipe adjustment

Bolts

BS 970 Grade 070 M020

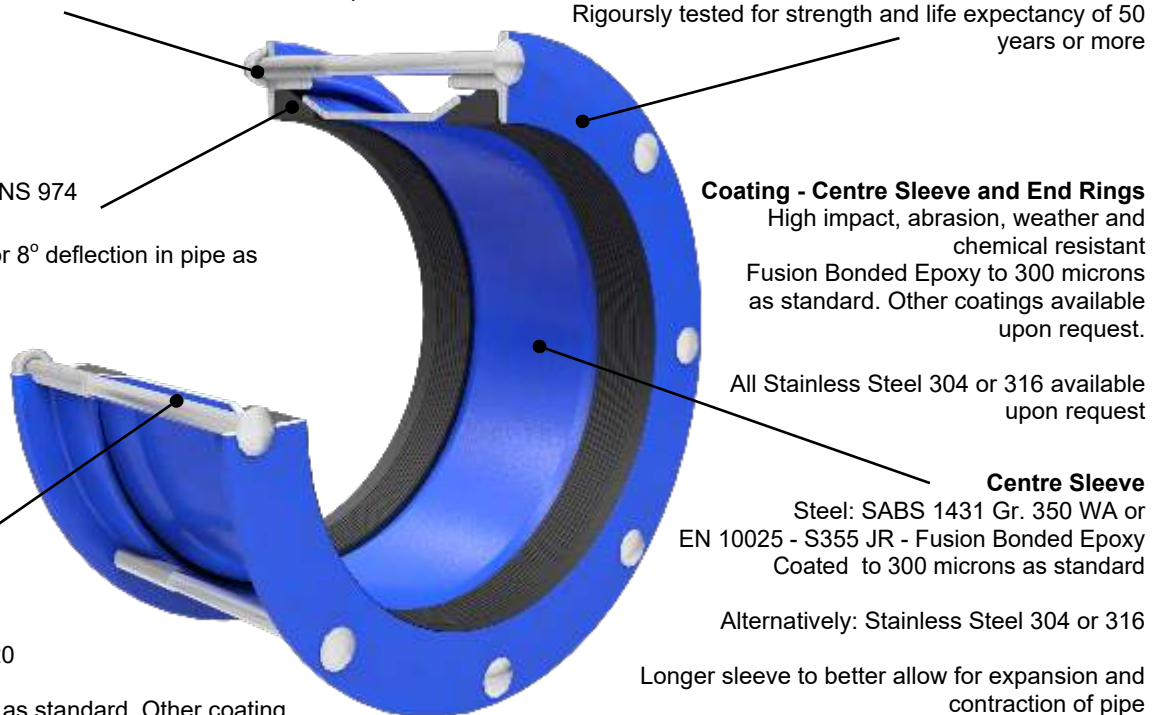
Hot Dipped Galvanised as standard. Other coating available upon request

Captive, non rotating bolt head require just one spanner to install.

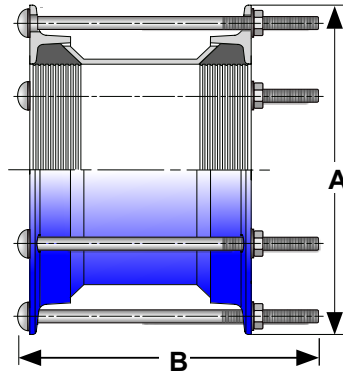
Couplings with Lugs

Couplings are available with Lugs. These are offered as standard for Long Barrel Couplings and Large Bore Couplings joined to two different materials.

The TruFlo KII Lug is designed as a full Bracket and is not just a plate that can shear like other manufacturers' designs. This ensures better performance under all installation and operating conditions



Overall Dimensions KII Large Bore Couplings



REXUS KII Couplings can be manufactured to any pipe OD from DN50 up to DN1600 as standard and Pressure Ratings PN10, PN16, PN25 and PN40 as standard.

Site Test pressure is 1.5 times working pressure.

Nominal Bore (mm)	Pipe O.D. Range in mm	Order Code	Pipe Material	A mm	B mm	Weight Kg
600	651	KIID0651	AC 600 CLASS 12	781	351	45.9
650	660	KIID0660	Steel	790	351	46.5
600	667	KIID0667	AC 600 COD	797	351	46.9
600	672	KIID0672	AC 600 CLASS 18	802	351	47.2
600	699	KIID0699	AC 600 CLASS 24	829	351	48.8
700	711	KIID0711	STEEL	841	351	49.7
600	727	KIID0727	AC 600 CLASS 30	857	351	50.8
700	738	KIID0738	DUCTILE IRON	868	351	51.4
700	744	KIID0744	AC 700 CLASS 6	874	351	51.8
600	755	KIID0755	AC 600 CLASS 36	885	351	52.5
700	760	KIID0760	AC 700 CLASS 12	890	351	52.8
750	762	KIID0762	STEEL	892	351	52.9
700	784	KIID0784	AC 700 CLASS 18	914	351	54.2
800	813	KIID0813	STEEL	943	351	56.1
700	816	KIID0816	AC 700 CLASS 24	946	351	56.3
800	842	KIID0842	DUCTILE IRON	972	351	57.9
700	848	KIID0848	AC 700 CLASS 30	978	351	58.2
800	850	KIID0850	AC 800 CLASS 6	980	351	58.4
800	868	KIID0868	AC 800 CLASS 12	998	351	59.5
800	896	KIID0896	AC 800 CLASS 18	1 026	351	61.4
900	914	KIID0914	STEEL	1 044	351	62.5
800	932	KIID0932	AC 800 CLASS 24	1 062	351	63.6
900	945	KIID0945	DUCTILE IRON	1 075	351	64.4
900	956	KIID0956	AC 900 CLASS 6	1 086	351	65
800	969	KIID0969	AC 800 CLASS 30	1 099	351	65.8
900	976	KIID0976	AC 900 CLASS 12	1 106	351	66.2
900	1008	KIID1008	AC 900 CLASS 18	1 138	351	68.5
1000	1016	KIID1016	STEEL	1 146	351	68.9
1000	1048	KIID1048	DUCTILE IRON	1 178	351	70.9
1000	1062	KIID1062	AC 1000 CLASS 6	1 192	351	71.7
1000	1084	KIID1084	AC 1000 CLASS 12	1 214	351	73
1100	1118	KIID1118	STEEL	1 248	351	75.1
1000	1120	KIID1120	AC 1000 CLASS 18	1 250	351	75.2
1000	1165	KIID1165	AC 1000 CLASS 24	1 295	351	78
1200	1219	KIID1219	STEEL	1 349	351	81.4
1200	1255	KIID1255	DUCTILE IRON	1 385	351	96.4
1300	1321	KIID1321	STEEL	1 451	351	101.2
1400	1422	KIID1422	STEEL	1 552	351	108.6
1400	1462	KIID1462	DUCTILE IRON	1 592	351	111.5

Materials of Construction & Relevant Standards

Couplings

Sleeve - Rolled Carbon Steel to SANS 1431 Grade 350 WA or EN 10025 - S355 JR

End Rings - Carbon Steel to SANS 1431 Grade 350 WA or EN 10025 - S355 JR

All Stainless Steel 304 or 316 construction on request

Protective Coating

Fusion Bonded Epoxy - 300 microns as standard

Gaskets

EPDM to SABS 974/ ISO 4633

Bolts & Nuts

Nuts and Bolts - Steel to SANS 1143 Grade 8.8 Hot Dipped Galvanised to SANS 763

- Stainless Steel 304 or 316 on request

Washers - Steel Hot Dipped Galvanised to SANS 763

- Stainless Steel 304 or 316 on request

REXUS KII Coupling Products is a comprehensive range of Couplings, Stepped Couplings, Flanged Adaptors and Dismantling Joints. Other products manufactured by REXUS include:



Airflo

Variable Orifice Air Valves

Series ESP and ERP Variable Orifice Air Valves is a triple function valve with automatic surge protection with ESP for Water and ERP for Waste Water applications.

Valves are manufactured in fusion bonded epoxy coated Steel or all Stainless Steel 304 or 316. The top cover, jointing and internal trim are in Stainless Steel 304 or 316.

Valves are available in sizes DN25 to DN300 and for pressure ratings PN10 to PN100



Checkflo

Nozzle Check Valves and Silen Check Valves

CHECKFLO Nozzle Check Valves are available in the reliable Central Shaft design as well as the Annular Disc design for superior surge protection and efficient low head pipeline operation. CHECKFLO also provides Silent Check Valves.

Valves are available in a variety of materials and trim options in both short and long face-to-face dimensions.

Valves are available in sizes DN50 to DN1200 and for pressure ratings PN10 to PN64



Veroflo

Fabricated Fittings and Basket Strainers

VEROFLO Fabricated Fittings and Basket Strainers are manufactured to the highest possible standards with stringent quality control.

All products are traceable from drawing to final completion. All coatings are Fusion Bonded Epoxy coating to 300 microns as standard

Fitting and Strainers are available in sizes DN50 to DN1600 and for pressure ratings PN10 to PN64.



KII

Double Offset Butterfly Valves

KII Double Offset Butterfly Valves are designed for high performance. The disc is specifically profiled to prevent flutter under low flow conditions and the gearbox is liberally designed with precision gearing to prevent backlash and for ease of operation.

Valves are available in sizes DN200 to DN1600 and for pressure ratings PN10 to PN40