



Materials of Construction

Sleeve

Rolled Steel to SANS 1431 Grade 350 WA or EN 10025 - S355 JR. Alternatively all Stainless Steel 304 or 316

End Rings

Carbon Steel to SANS 1431 Grade 350 WA or EN 10025 - S355 JR. Alternatively all Stainless Steel 304 or 316

Protective Coating

Fusion Bonded Epoxy to 300 microns as standard

Gaskets

EPDM to SABS 974/ ISO 4633

Nuts and Bolts

Steel to SANS 1143 Grade 8.8 Hot Dipped Galvanised to SANS 763. Alternatively all Stainless Steel 304 or 316

Washers

Steel Hot Dipped Galvanised to SANS 763. Alternatively all Stainless Steel 304 or 316

Size and Pressure Range

REXUS manufactures couplings to any pipe OD of up to DN1600 and pressures up to PN64 on request.

Site Test Pressure

Site test pressure is 1.5 x working pressure.

REXUS KII SmartFit Stepped Couplings

The REXUS KII range of Couplings Flange Adaptors and Dismantling Joints are 100% locally manufactured and have been utilised on some of the most significant projects in South Africa. In addition, our products are exported to several countries.

Factors that distinguish REXUS KII Coupling products from competing products are:

Moulded Rubber Gaskets - all our rubber gaskets, regardless of size are moulded and not glued providing a superior performance.

Rubber Gasket Thickness and Profile - all our gaskets have a specific ribbed sealing profile to ensure drip-tight sealing regardless of the pipe surface.

In addition, the thickness of our rubber gasket coupled with the specific angle of our flared ends provide a deep gasket chamber and allows for maximum possible pipe adjustment.

Fusion Bonded Epoxy Coating - all our Couplings regardless of size are fusion bonded epoxy coated to 300 microns as standard. Couplings exposed to sunlight are coated with an additional UV resistant coating.

Longer Standard Barrels - Our Stepped Coupling barrels are as standard, as long as some competitors "long" barrel couplings, at no additional cost to better allow for expansion and contraction of various types of pipe.

Short Lead Times - REXUS is rapidly becoming the company of choice to design, manufacture and supply couplings for emergency conditions. Our standard turnaround time for emergency items is 24 to 48 hours and for out of stock standard items in large batches is 5 to 10 days.

Technical Expertise and Aftersales backup - REXUS is a designer, manufacturer and supplier of all pipeline related products. We therefore have an in depth understanding on pipeline material selection, valve performance and complex pipeline phenomena such as Surge and Waterhammer. We bring all our expertise to bear in every recommendation and back up our products with unparalleled sale support - try us!

KII Stepped Couplings

TRUFLO KII Stepped Couplings are uncomplicated. Our standard Coupling consists of a Centre Sleeve located between two Rubber Gaskets which are in turn housed inside two End Rings. When the captivated "Dee" or 'Oval' cup Bolts are tightened, the End Rings draw closer to one another compressing the tapered rubber Gaskets between the pipe outside surface and Coupling Sleeve inner surface. This results in a flexible leak-tight compression seal between the two pipes

The captivated head of the Bolt prevents the Bolt from rotating when the Nuts are tightened. This allows for assembly utilizing only one spanner.

The more the Bolts are tightened the greater the compression force exerted on the rubber Gasket. At the specified torque ratings the Coupling assembly will result in a permanent leak proof connection between two plain-ended pipes.

TRUFLO KII Couplings have the ability to absorb expansion and contraction in pipeline which results from temperature variations. In addition, REXUS KII Couplings accommodate a specified degree of pipeline deflection which may result from lateral displacement and ground settlement.

Nuts and Washers

BS 970 Grade 070 M020

Hot Dipped Galvanised to SANS 763 as standard.
Other coating available on request. Stainless Steel 304 or 316 available on request.

End Ring

Steel: Steel to SANS 1431 Grade 300 or Grade 350 WA or EN 10025 - S355 JR - Fusion Bonded Epoxy Coated to 300 microns as standard
Alternatively: Ductile Iron: BS 2789 Gr. 420/12

Lugs

Specifically designed Lugs to provide better Support and accurate torquing of the bolts as there is no deflection as in competitor designs who use a flat plate.

Rubber Gasket

EPDM to ISO 4633/ SANS 974
All Rubber Gaskets, regardless of size moulded and not glued

Centre Sleeve

Steel: SANS 1431 Gr. 350 WA or EN 10025 - S355 JR - Fusion Bonded Epoxy Coated to 300 microns as standard
Alternatively: Ductile Iron: BS 2789 Gr. 420/12

Longer sleeve to better allow for expansion and contraction of pipe

Flared ends to provide deep gasket chamber and allow for maximum possible pipe adjustment

Bolts

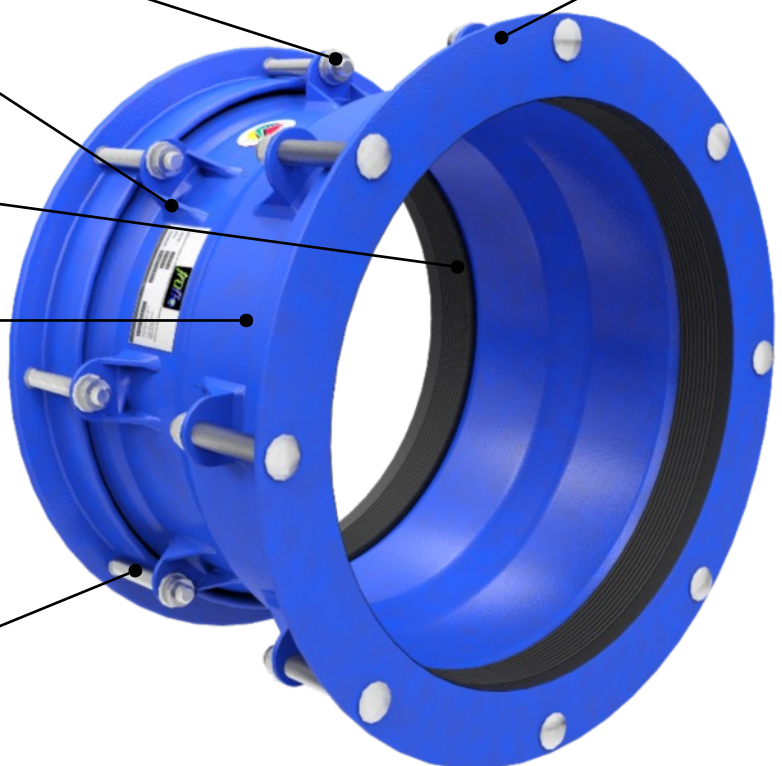
BS 970 Grade 070 M020

Hot Dipped Galvanised as standard. Other coating available on request

Stainless Steel 304 or 316 on request

Captive, non rotating bolt head require just one spanner to install.

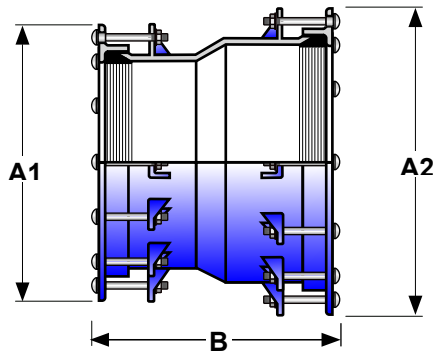
Rigoursly tested for strength and life expectancy of 50 years or more



Coating - Centre Sleeve and End Rings
High impact, abrasion, weather and chemical resistant
Fusion Bonded Epoxy to 300 microns as standard.
Other coatings available upon request.

All Stainless Steel 304 or 316 available upon request

Overall Dimensions KII Stepped Couplings



TRUFLO KII Stepped Couplings can be manufactured to any pipe OD from DN50 up to DN1600 as standard and Pressure Ratings PN10, PN16, PN25 and PN40.

Site Test pressure is 1.5 times working pressure.

Smaller Dia.		Larger Dia.		Order Code	A1 mm	A2 mm	B mm	Weight kg
Nominal Bore (mm)	Pipe OD Range (mm)	Nominal Bore (mm)	Pipe OD Range (mm)					
50	59-78	80	88-103	KIISTPLGLG0050-0080	142	167	290	4
50	59-78	100	109-128	KIISTPLGLG0050-0100	142	192	290	4
80	88-103	100	98-118	KIISTPLGLG0080-0100	167	182	290	4
80	88-103	100	109-128	KIISTPLG0080-0100/2	167	192	290	5
80	88-103	125	132-154	KIISTPLG0080-0125	167	218	290	6
100	98-118	100	109-128	KIISTPLG100-0100/2	182	192	290	6
100	98-118	125	132-154	KIISTPLG0100-0125	182	218	320	6
100	98-118	150	150-170	KIISTPLG0100-0150	182	234	320	6
100	98-118	150	159-182	KIISTPLG0100-0150/2	182	256	320	6
100	109-128	125	132-154	KIISTPLG01002-0125	192	218	320	6
100	109-128	150	150-170	KIISTPLG01002-0150	192	234	320	6
100	109-128	150	159-182	KIISTPLG0100-0150/2	192	256	320	7
125	132-154	150	150-170	KIISTPLG0125-0150	218	234	320	8
125	132-154	150	159-182	KIISTPLG0125-0150/2	218	256	320	8
125	132-154	175	192-209	KIISTPLG0125-0175	218	283	320	8
150	150-170	150	159-182	KIISTPLG0150-0150/2	234	256	320	8
150	150-170	150	170-193	KIISTPLG0150-0150/3	234	268	320	8
150	150-170	175	192-209	KIISTPLG0150-0175	234	283	320	9
150	150-170	200	218-235	KIISTPLG0150-0200	234	309	320	9
150	159-182	150	170-193	KIISTPLG0150-0150/3	256	268	320	9
150	159-182	175	192-209	KIISTPLG0150-0175	256	283	320	10
150	159-182	200	218-235	KIISTPLG150/2-0200	256	309	320	1
150	170-193	175	192-209	KIISTPLG150/3-0175	268	283	320	1
150	170-193	200	218-235	KIISTPLG0150/3-0200	268	309	320	1
175	192-209	200	218-235	KIISTPLG0175-0200	283	309	320	12
175	192-209	225	239-250	KIISTPLG0175-0225	283	326	320	13
175	192-209	225	250-267	KIISTPLG0175-0225/2	283	341	320	14
200	218-235	225	235-252	KIISTPLG0200-0225	296	326	320	14
200	218-235	225	259-267	KIISTPLG0200-0225/2	296	341	320	14
200	218-235	250	271-289	KIISTPLG0200-0250	296	403	320	15
200	218-235	275	302-318	KIISTPLG0200-0275	296	432	320	15
200	218-235	300	315-332	KIISTPLG0200-0300	296	446	320	16
225	235-252	225	250-267	KIISTPLG0225-0225/2	309	341	320	17
225	235-252	250	273-286	KIISTPLG0225-0250	309	403	320	17
225	235-252	275	302-318	KIISTPLG0225-0275	309	432	320	18
225	235-252	300	315-332	KIISTPLG0225-0300	309	446	320	19
225	250-267	250	271-289	KIISTPLG0225/2-0250	341	403	320	19
225	250-267	275	302-318	KIISTPLG225/2-0275	341	403	320	19
225	250-267	300	315-332	KIISTPLG0225/2-0300	341	446	320	20

Materials of Construction & Relevant Standards

Couplings

Sleeve - Rolled Carbon Steel to SANS 1431 Grade 350 WA or EN 10025 - S355 JR

End Rings - Carbon Steel to SANS 1431 Grade 350 WA or EN 10025 - S355 JR

All Stainless Steel 304 or 316 construction on request

Protective Coating

Fusion Bonded Epoxy - 300 microns as standard

Gaskets

EPDM to SABS 974/ ISO 4633

Bolts & Nuts

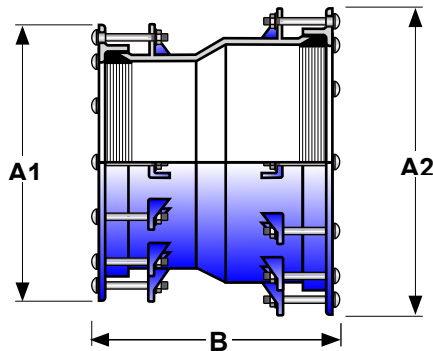
Nuts and Bolts - Steel to SANS 1143 Grade 8.8 Hot Dipped Galvanised to SANS 763

- Stainless Steel 304 or 316 on request

Washers - Steel Hot Dipped Galvanised to SANS 763

- Stainless Steel 304 or 316 on request

Overall Dimensions KII Stepped Couplings



REXUS KII Stepped Couplings can be manufactured to any pipe OD from DN50 up to DN1600 as standard and Pressure Ratings PN10, PN16, PN25 and PN40.

Site Test pressure is 1.5 times working pressure.

Smaller Dia.		Larger Dia.		Order Code	A1 mm	A2 mm	B mm	Weight kg
Nominal Bore (mm)	Pipe OD Range (mm)	Nominal Bore (mm)	Pipe OD Range (mm)					
250	271-289	250	286-304	KIISTPLGLG0250-0250/2	403	418	320	22
250	271-289	275	302-318	KIISTPLGLG0250-0275	403	432	320	22
250	271-289	300	315-332	KIISTPLGLG0250-0300	403	446	320	23
250	286-304	275	302-318	KIISTPLGLG0250/2-0275	418	432	320	23
250	286-304	300	315-332	KIISTPLGLG0250/2-0300	418	446	320	24
275	302-318	300	315-332	KIISTPLGLG0275-0300	432	446	320	24
275	302-318	300	334-350	KIISTPLGLG0275-0300/2	432	464	320	24
275	302-318	350	334-360	KIISTPLGLG0275-0350	432	474	320	25
300	315-332	300	334-350	KIISTPLGLG0300-0300/2	446	464	320	25
300	315-332	350	344-360	KIISTPLGLG0300-0350	446	474	320	25
300	315-332	350	374-391	KIISTPLGLG0300-0350/2	446	505	320	26
350	344-360	350	374-391	KIISTPLGLG0350-0350/2	474	505	320	27
350	344-360	400	391-410	KIISTPLGLG0350-0400	474	524	320	27
350	344-360	400	401-417	KIISTPLGLG0350-0400/2	474	531	320	27
350	344-360	400	417-437	KIISTPLGLG0350-0400/3	474	551	320	28
350	344-360	400	430-446	KIISTPLGLG0350-0400/4	474	560	320	29
350	344-360	450	444-460	KIISTPLG0350-0450	474	574	320	29
400	397-410	400	401-417	KIISTPLG0400-0400/2	524	531	320	30
400	397-410	400	417-437	KIISTPLG0400-0400/3	524	551	320	30
400	397-410	400	430-446	KIISTPLG0400-0400/4	524	560	320	30
400	397-410	450	444-460	KIISTPLG0400-0450	524	574	320	31
400	397-410	450	458-474	KIISTPLG0400-0450/2	524	588	320	32
400	397-410	450	477-493	KIISTPLG0400-0450/3	524	607	320	32
400	397-410	500	494-510	KIISTPLG0400-0500	524	624	320	33
400	401-417	450	444-460	KIISTPLG0400/2-0450	531	573	320	33

Larger size ranges are available on request

Materials of Construction & Relevant Standards

Couplings

Sleeve - Rolled Carbon Steel to SANS 1431 Grade 350 WA or EN 10025 - S355 JR

End Rings - Carbon Steel to SANS 1431 Grade 350 WA or EN 10025 - S355 JR

All Stainless Steel 304 or 316 construction on request

Protective Coating

Fusion Bonded Epoxy - 300 microns as standard

Gaskets

EPDM to SABS 974/ ISO 4633

Bolts & Nuts

Nuts and Bolts - Steel to SANS 1143 Grade 8.8 Hot Dipped Galvanised to SANS 763

- Stainless Steel 304 or 316 on request

Washers - Steel Hot Dipped Galvanised to SANS 763

- Stainless Steel 304 or 316 on request

REXUS KII Coupling Products is a comprehensive range of Couplings, Stepped Couplings, Flanged Adaptors and Dismantling Joints. Other products manufactured by REXUS include:



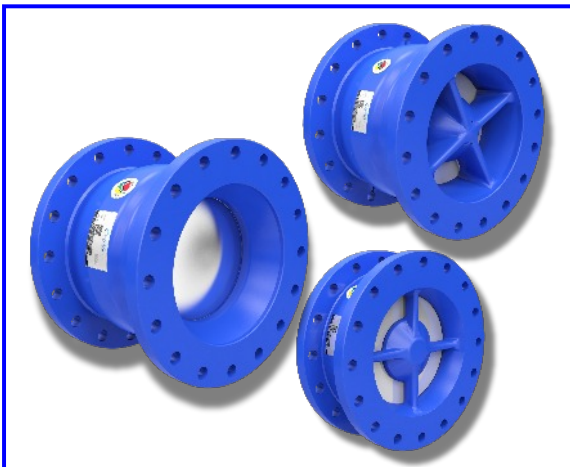
Airflo

Variable Orifice Air Valves

Series ESP and ERP Variable Orifice Air Valves is a triple function valve with automatic surge protection with ESP for Water and ERP for Waste Water applications.

Valves are manufactured in fusion bonded epoxy coated Steel or all Stainless Steel 304 or 316. The top cover, jointing and internal trim are in Stainless Steel 304 or 316.

Valves are available in sizes DN25 to DN300 and for pressure ratings PN10 to PN100



Checkflo

Nozzle Check Valves and Silen Check Valves

CHECKFLO Nozzle Check Valves are available in the reliable Central Shaft design as well as the Annular Disc design for superior surge protection and efficient low head pipeline operation. CHECKFLO also provides Silent Check Valves.

Valves are available in a variety of materials and trim options in both short and long face to face dimensions.

Valves are available in sizes DN50 to DN1200 and for pressure ratings PN10 to PN64



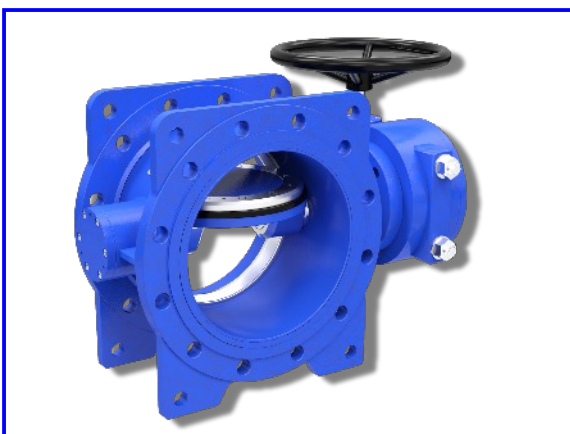
Veroflo

Fabricated Fittings and Basket Strainers

VEROFLO Fabricated Fittings and Basket Strainers are manufacture to the highest possible standards with stringent quality control.

All products are traceable from drawing to final completion. All coatings are Fusion Bonded Epoxy coating to 300 microns as standard

Fitting and Strainers are available in sizes DN50 to DN1600 and for pressure ratings PN10 to PN64.



trufloKII

Double Offset Butterfly Valves

KII Double Offset Butterfly Valves are designed for high performance. The disc is specifically profiled to prevent flutter under low flow conditions and the gearbox is liberally designed with precision gearing to prevent backlash and for ease of operation.

Valves are available in sizes DN200 to DN1600 and for pressure ratings PN10 to PN40