

Veroflo



High Performance Basket Strainers

for Potable Water, Raw Water, Irrigation and Mining Applications

Dimensions and Weights

DESIGN TYPE

Large Flow Basket Strainer

OPERATING PRESSURE RANGE

PN 10, PN 16, PN 25 and PN 40

OPERATING TEMPERATURE RANGE

-5° TO 80°

SIZE RANGE

DN50 to DN1600

MATERIALS OF CONSTRUCTION

Steel Assembly, Fusion Bonded Epoxy Coated to 300 microns. S/Steel Strainer, Seals in EPDM.

STANDARD MESH SIZE

- DN 50 - 1.5mm dia
- DN80 to DN100 - 3mm dia.
- DN150 to DN1600 - 5mm

END CONNECTION

Flanged SABS 1123 or BS 4505 or, EN 1092 or ANSI B16.5

OPTIONS

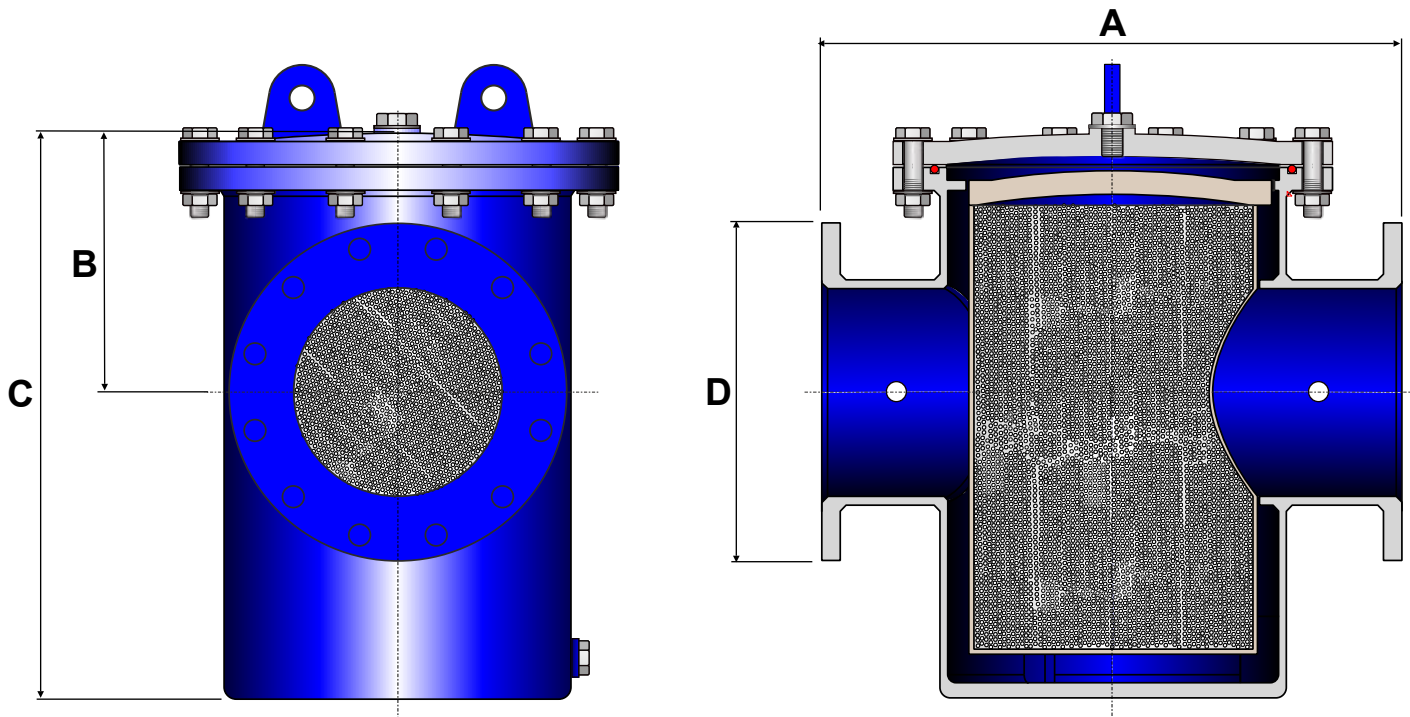
- Bleed Port in Cover
- Bleed Ports for installation of a gauge
- Blow off Port of 1" BSP (larger on request)

OPTIONAL EXTRAS

- Complete stainless steel construction
- Strainer mesh hole sizes 0.1 - 10 mm
- Customised lengths and/or materials to client's request

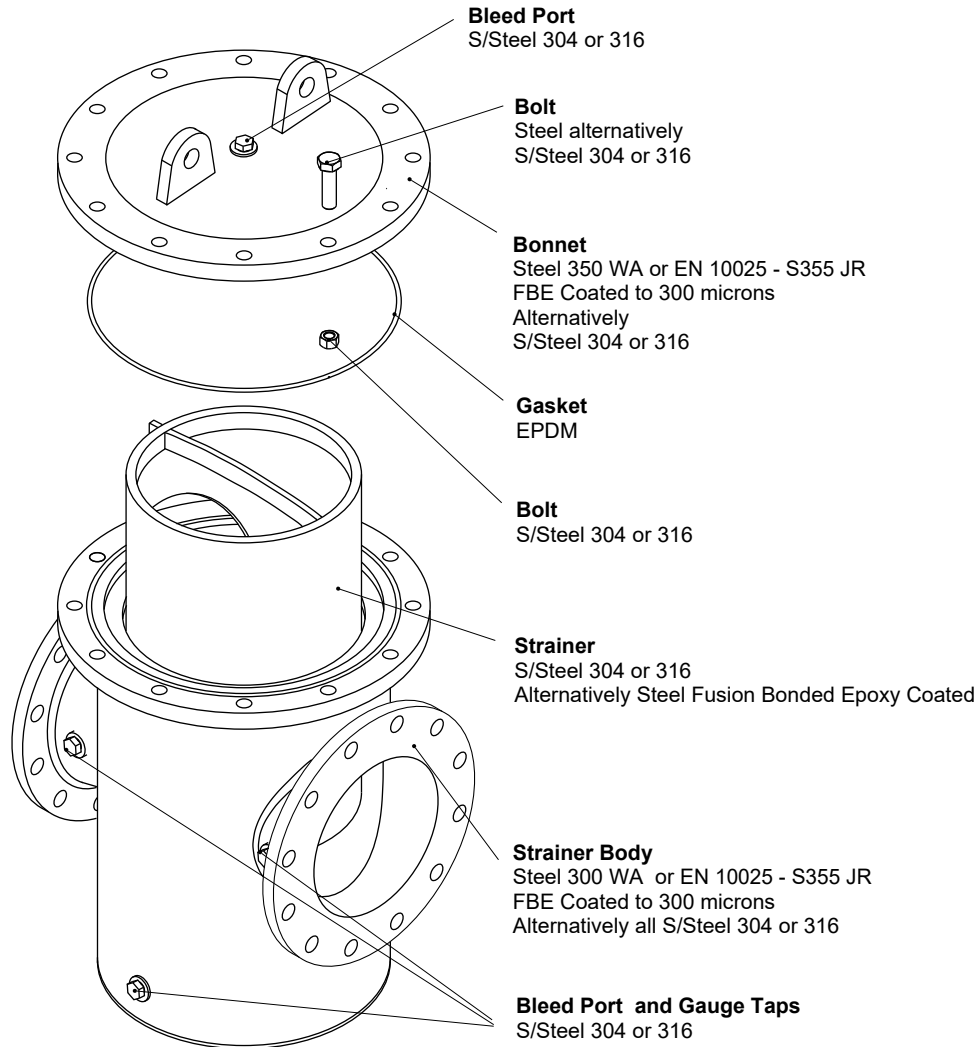
PERFORMANCE

- Pressure drop - 0.2 bar at 4.5 m/sec.
- Maximum allowable differential pressure 0.5 bar



Size DN mm	50	80	100	150	200	250	300	350	400	450	500	600	700	800	900	1000	1200	1400	1600
A mm	230	310	350	480	600	650	700	800	850	950	1000	1100	1250	1400	1500	1650	2000	2500	2800
B mm	64	140	170	223	286	321	350	385	419	429	503	608	628	812	887	942	1039	1164	1275
C mm	143	295	355	458	580	684	732	826	918	969	1103	1368	1410	1824	1992	2117	2334	2615	2864
D mm PN10	165	200	220	285	340	400	455	505	565	615	670	780	895	1015	1115	1230	1455	1675	1915
D mm PN16	165	200	220	285	340	400	455	520	580	640	715	840	910	1025	1125	1355	1485	1685	1930
D mm PN25	165	200	235	300	360	425	485	555	620	670	730	845	960	1085	1185	1320	1530	1755	1975
D mm PN40	165	299	235	375	475	450	515	580	660	685	755	890	995	1140	1250	1360	1575	1795	2025
Weight kg	23	34	42	72	130	190	285	345	500	670	800	885	1230	1480	1690	2380	3550	5400	8300

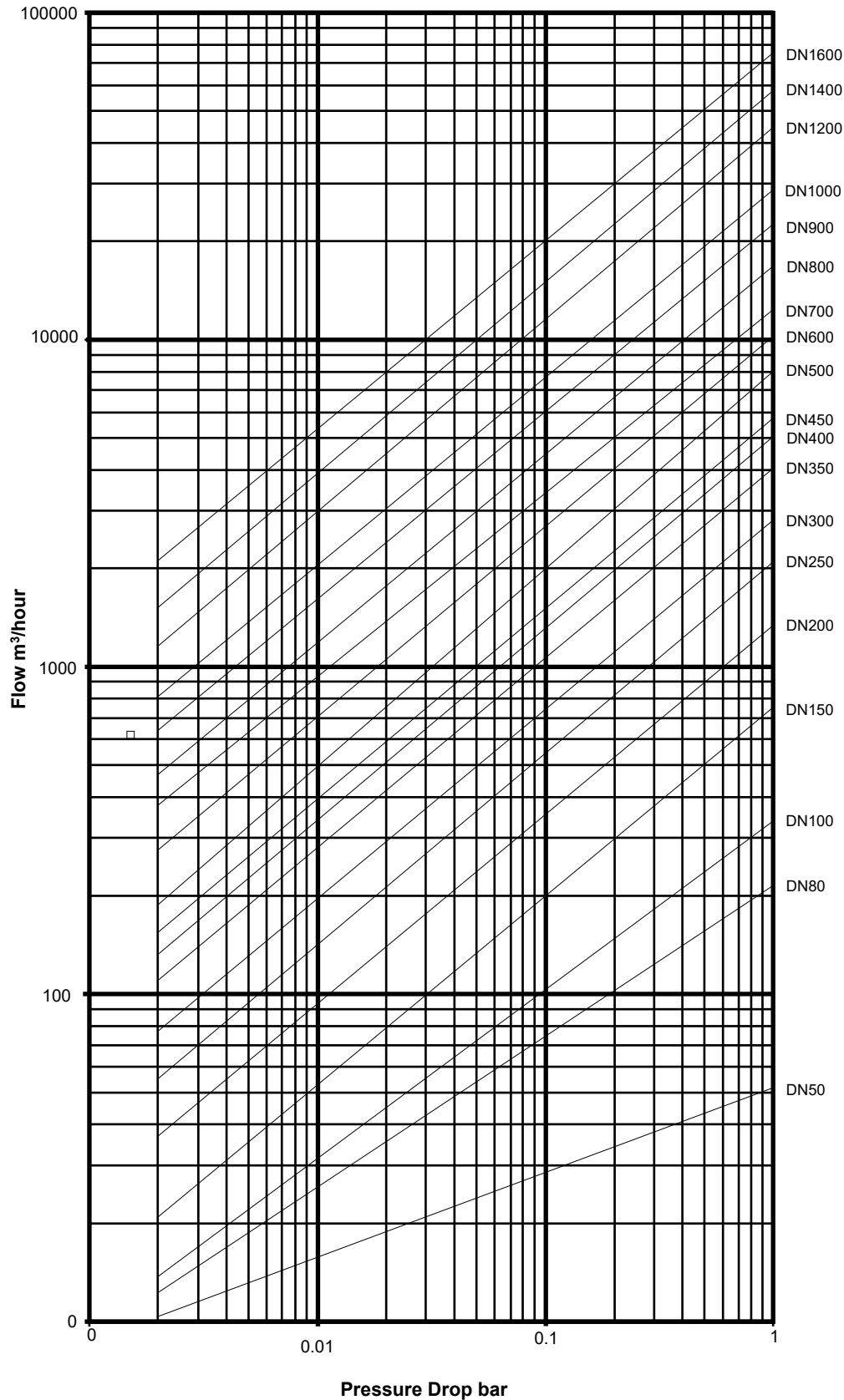
Materials of Construction



Why VEROFLO Basket Strainers?

- **Low headloss** – ensures optimum performance of the strainer and pipeline system.
- **Large size and pressure range** – Sizes DN50 to DN1600 and pressure ratings of PN10 to PN40.
- **Ease of maintenance** - In situ maintenance does not require removal of the strainer. The strainer can also be designed for bottom flushing obviating the need to remove the basket.
- **Large basket volume** – Large basket area, increasing system reliability and safety.
- **Suitable for installation in any position** – Can be installed at any angle. However, we recommend for large diameters to be installed with the bonnet facing up.
- **Suitable for all applications** – Our strainers are epoxy coated to 300 microns as standard with stainless steel 304 or 316 strainer basket and trim. Our basket of strainers are also available in full stainless steel 304 or 316.
- **Short Lead times** – Our strainers are 100% locally manufactured. Lead times are therefore very short even for larger sizes
- **Complete solutions** – VEROFLO strainers are part of a wider range of pipeline complimentary products which include VEROFLO pipeline fittings, KII Couplings, Flange Adaptors, Dismantling Joints, AIRFLO Air Valves and CHECKFLO Check Valves.
- **Unparalleled sales, technical and after sales support** – We pride ourselves on our quality and service. Each order is processed with care, manufactured with precision with the highest quality of materials relative to cost and delivered in the shortest possible time. Each product is backed up by sound technical expertise.

Flow Characteristics



Size DN	Kv
50	45
80	185
100	295
150	650
200	1155
250	1804
300	2500
350	3500
400	4350
450	5050
500	6100
600	8850
700	11731
800	15546
900	20044
1000	25356
1200	37701
1400	50583
1600	66480

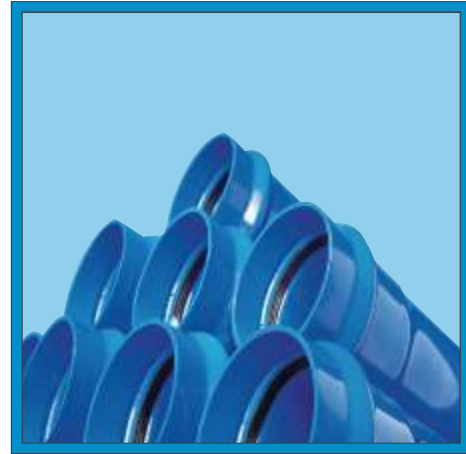
$$Q = Kv \cdot \sqrt{\frac{\Delta P}{SG}}$$

Q: Flow rate m³/hour
 ΔP: Pressure Drop bar
 SG: Specific Gravity (1 for water)
 Kv: Flow coefficient

TruFlo is a designer, manufacturer and supplier of Pipe, Valves, Fittings and Couplings. Our products and services include:



TruFlo KII Couplings Flange Adaptors and Dismantling Joints are 100% locally manufactured in sizes 40mm to 1600mm and for pressure ratings of up to PN40 as standard. We offer short lead times.



In addition to Ductile Iron Pipe, TruFlo is a large distributor of PVC, HDPE and Steel Pipe in diameters up to 1000 NB. All pipe is supplied with associated Valves and Fittings.



TruFlo is the manufacturer and supplier of the AirFlo range of air valves for Water and Sewer pipelines. Air Valves are manufactured in sizes DN25 to DN300 and for pressure ratings of up to PN100. AirFlo air valves have four functions as stand including automatic Surge protection.



TruFlo manufactures Double Offset Butterfly valves in sizes DN200 to DN1200 and for pressure ratings PN10 to PN40. Valves are available fusion bonded epoxy coated and in various trim options.



TruFlo is the manufacturer and supplier of the CheckFlo range of Nozzle Check, Swing Check and Silent for Water pipelines. Check Valves are manufactured in sizes DN50 to DN1200 and for pressure ratings of up to PN100. CheckFlo valves have low headloss, are maintenance free and prevent Surge.



TruFlo is one of the largest manufacturers of fabricated Steel fittings for Water and Wastewater pipelines. Our fittings are manufactured under the VeroFlo brand in sizes DN50 to DN 1600 and for pressure ratings of PN64 as standard. All fittings are fusion bonded epoxy coated as standard.

TruFlo provides the most comprehensive, technical, logistical and after sales support in the industry. Try Us!