

*Veroflo*



# **Veroflo Fabricated Steel Fittings**

*for Potable Water, Irrigation, Mining and Sewerage Applications*



## **FABRICATED STEEL PIPE FITTINGS**

### Content

VEROFLO Specifications	1
Why VEROFLO Fabricated Fittings?	2
The VEROFLO Difference	3
VEROFLO Bends	4 - 7
VEROFLO Lateral Tees	8
VEROFLO Sweep Tees	9
VEROFLO Tees	10 - 14
VEROFLO Reducers	15 - 16
VEROFLO Scour Tees	17
VEROFLO Shouldered Bends and Elbows	18
VEROFLO Shouldered Tees	19
VEROFLO Shouldered Laterals	20
VEROFLO Shouldered Adaptors and Reducers	21

## SPECIFICATIONS

VEROFLO's range of Steel and Stainless Steel Pipe Fittings encompasses both generic and custom made Fittings to connect all types of Piping. We supply Pipe Fittings to customers across a range of industries and countries, in both Fusion Bonded Epoxy coated Carbon Steel and high grade 304 or 316 Stainless Steel. Our offering provides unrivalled durability and is suitable for the most demanding applications. Every item is made by skilled staff and production workers at our Sebenza facility which is ISO 9001 and ISO 18001 certified.

We are an internationally trusted manufacturer and supplier to flagship infrastructure projects and, wherever high quality pipe fittings are required. In addition, to our standard ranges of fittings, our specialist team can manufacture any pipeline components and bespoke fittings as required.

We work to widely recognised standards including SANS, ASME, AWWA and EN and many more to ensure our pipe fittings provide functional leak free integration with any new or existing pipe network. We can fulfil orders of any size and, offer short lead times.

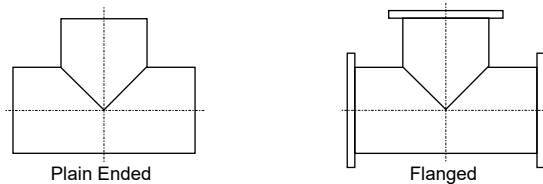
### Specifications for Materials, Construction and Coatings

<b>Fitting Materials of Construction:</b>	Carbon Steel SABS 1431 grade 300 and 350 WA or SANS 10025-2 grade SJ355. Alternatively Stainless Steel 304 and 316.
<b>Coatings and Linings:</b>	Fusion Bonded Epoxy to SANS 1217 - 300 microns as standard Hot Dipped Galvanised to SANS 121. Other coatings on request.
<b>Manufacturing Specifications:</b>	SANS 1476, SANS 15614-1, ASME B31.3, API 1104, ASME IX, and EN 10224.

### End Connection Options

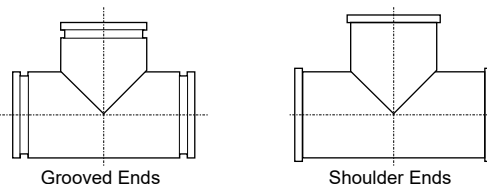
#### Plain Ended Fittings and Flanged Fittings

VEROFLO fittings are supplied as standard with Flanged ends to SANS 1123/3. Fittings with flanged ends to EN 1092, BS4504 or BS 10 are available on request. Alternatively fittings can be supplied Plain Ended for use with couplings.



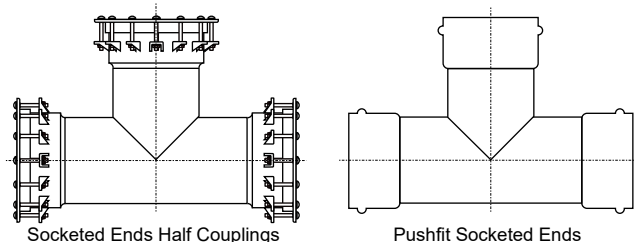
#### Grooved and Shouldered End Fittings

VEROFLO provides both Grooved and Shouldered end fittings to SANS 815 for use with Victaulic couplings.



#### Fittings with Socketed or Pushfit Sockets

VEROFLO provides fittings with Socketed Half Couplings for use with PVC, Ductile Iron and Steel Pipe. In addition, VEROFLO provides Pushfit Socketed fittings for specific use with PVC or Steel.

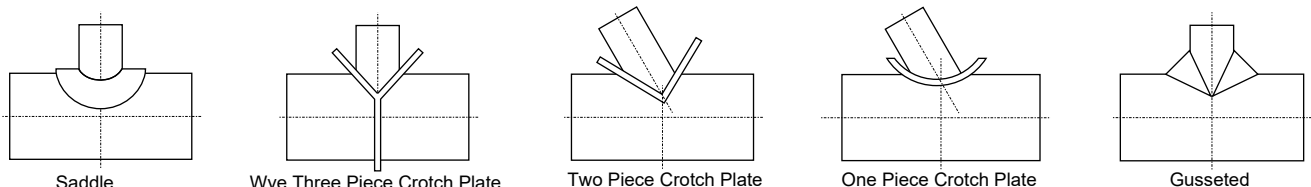


#### Combination Fittings

VEROFLO provides fittings that can incorporate any combination of end connections such as Flanged fittings with socketed branch ends.

#### High Pressure and Large Diameter Fittings

VEROFLO provides fittings for working pressures of up to PN64 as standard. We utilise the latest in software development to design appropriate Saddles, Crotch Plates and Gusseted fittings to suit the application.



## WHY VEROFLO FABRICATED PIPE FITTINGS

VEROFLO Fabricated Fittings are manufactured with skill and precision to the latest specification or client's requirements. The combination of the inherent properties of the materials of construction, the specifications and VEROFLO's focus on quality ensures that our Fabricated Fittings have exceptional inherent properties that make it highly suitable for use with pressure pipe. Properties include:



### Quality

VEROFLO produces quality fittings to the highest possible standards. This is obvious in the workmanship of the welds, in the quality of the coating and the materials of construction.

Every VEROFLO fitting is made with care and pride to meet the highest possible level of performance in any pipeline application.



### Flexibility in Design

VEROFLO fittings come in a variety of jointing options from Plain Ended to Flanged and Socketed or, Shouldered for use with Victaulic couplings. This allows for a connection solution to virtually any piping application.

VEROFLO fittings are manufactured in sizes DN50 to DN1200 as standard and for pressure ratings of up to PN64. Fittings are offered in standard lengths as well as bespoke for specific applications.



The wide pressure range, end connection and coating options and short lead times for the VEROFLO fittings provides the engineer with flexibility in design and the contractor ease of installation.

### High Performance

VEROFLO Steel Fittings have a high tensile strength, a high modulus of elasticity, elongation factor and yield strength. These factors give the fittings the ability to withstand severe stresses caused by shifting ground, heavy loads, water pressure and water hammer. VEROFLO Fittings in addition are highly resistant to cyclic failure making them favourable for use with all pipeline materials including Plastics pipelines.

### Coatings

All VEROFLO Fittings regardless of size are fusion bonded epoxy (FBE) coated to 300 microns as standard.



### Low Life Cycle Costing

VEROFLO Fittings have a low installation cost, provide maintenance free operation, have high flow capacities, are resistant to cathodic corrosion (dependant on coating) and a relatively low initial purchase price. All these factors combined ensure decades of a low life cycle costing.

### Technical Sales and After sales Support

VEROFLO Fittings are supported by a highly experienced design and sales team that can provide the most appropriate and cost effective solutions for any design and installation. Try us!

## THE VEROFLO DIFFERENCE

Quality is produced by intent and not through inspection. Every VEROFLO fitting is designed and manufactured for maximum performance at the point of application. Our in-house quality control and standards exceed the general market requirements. A VEROFLO fitting is distinguished from other fittings by the following features:

### Non Destructive Testing

Each fitting manufactured undergoes a non destructive test.

### Fit for Purpose Design

All Socketed Fittings have a longer than standard socket for ease of fit.

Our lugs are full brackets that can be torqued without shearing

All rubber gaskets are generously sized and ribbed to ensure driptight sealing under all conditions

### Workmanship

VEROFLO's most striking difference is the workmanship of the fittings.

This is obvious from the quality of the welds, the finish of the coating and the craft of the skilled staff in the alignment of each joined component

### Coating

FBE coating to 300 microns as standard FBE is a proven high performance coating that is chemically inert and impact resistant.

Above ground fittings have a UV resistant overcoat.

Other coatings or full Stainless Steel 304 or 316 construction is available upon request

### Traceability of Materials

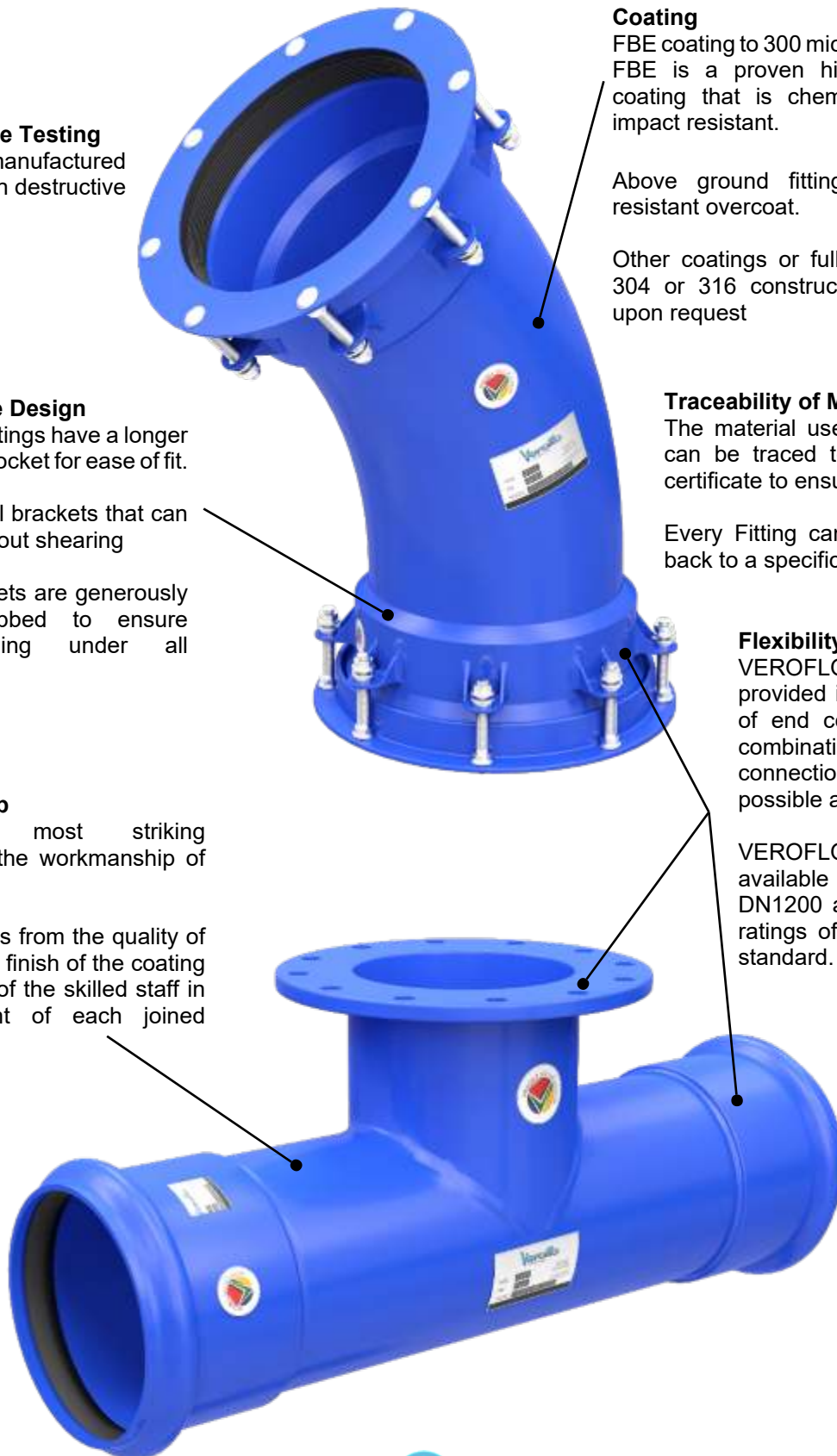
The material used in each fitting can be traced to a specific mill certificate to ensure quality.

Every Fitting can also be traced back to a specific batch.

### Flexibility in Design

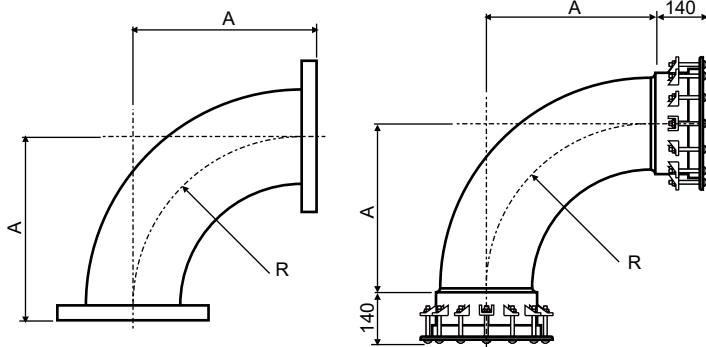
VEROFLO fittings can be provided in a wide variety of end connections or a combination of end connections to suit every possible application.

VEROFLO fittings are also available in sizes DN50 to DN1200 and for pressure ratings of up to PN64 as standard.



## VEROFLO PULLED 3D AND 5D BENDS

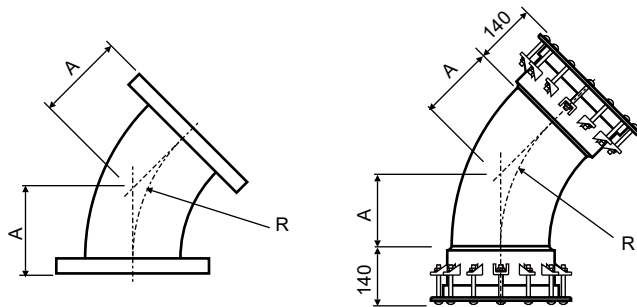
### 90° Pulled Bend 3D and 5D



Unit mm

Nominal Size DN	Pipe OD	A 3D	R Radius 3D	A 5D	R Radius 5D
50	60.3	160	152	303	295
80	88.9	240	230	455	445
100	114,3	315	305	518	508
150	168.3	467	457	850	840
200	219.1	623	610	1026	1016
250	273,1	773	762	1313	1300
300	323.9	925	915	1553	1540
350	355.6	1081	1065	1716	1700
400	406.4	1235	1219	1956	1940
450	457	1388	1372	2260	2244
500	508	1540	1524	2506	2490

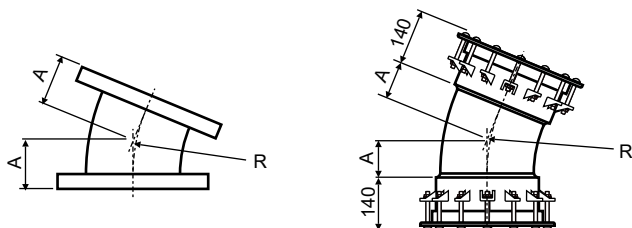
### 45° Pulled Bend 3D and 5D



Unit mm

Nominal Size DN	Pipe OD	A 3D	R Radius 3D	A 5D	R Radius 5D
50	60.3	68	152	128	295
80	88.9	100	230	192	445
100	114,3	135	305	218	508
150	168.3	197	457	357	840
200	219.1	262	610	431	1016
250	273,1	325	762	552	1300
300	323.9	389	915	653	1540
350	355.6	454	1065	721	1700
400	406.4	519	1219	822	1940
450	457	583	1372	950	2244
500	508	647	1524	1052	2490

### 22.5° Pulled Bend 3D and 5D

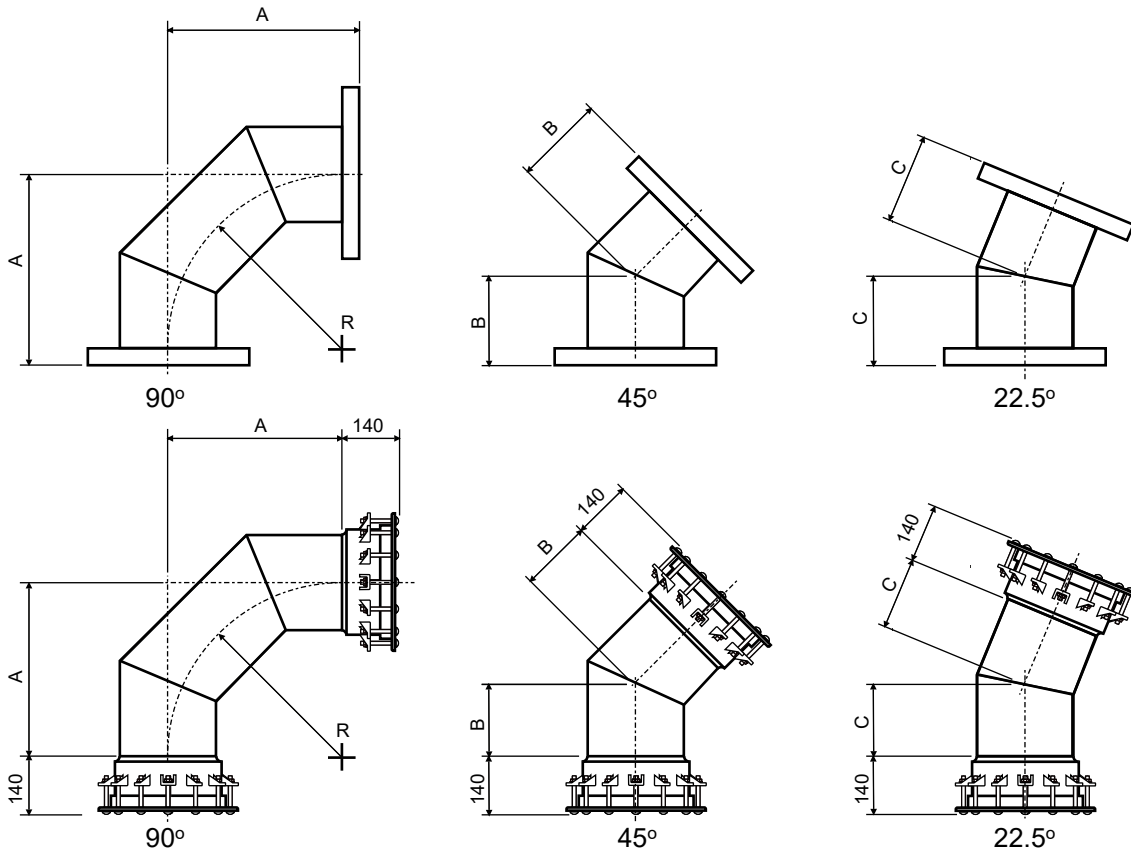


Unit mm

Nominal Size DN	Pipe OD mm	A 3D	R Radius 3D	A 5D	R Radius 5D
50	60.3	32	152	62	295
80	88.9	49	230	94	445
100	114,3	65	305	107	508
150	168.3	96	457	177	840
200	219.1	129	610	214	1016
250	273,1	161	762	273	1300
300	323.9	193	915	324	1540
350	355.6	224	1065	357	1700
400	406.4	256	1219	408	1940
450	457	289	1372	472	2244
500	508	321	1524	523	2490

## VEROFLO ELBOWS

### Flanged and Socketed Elbows

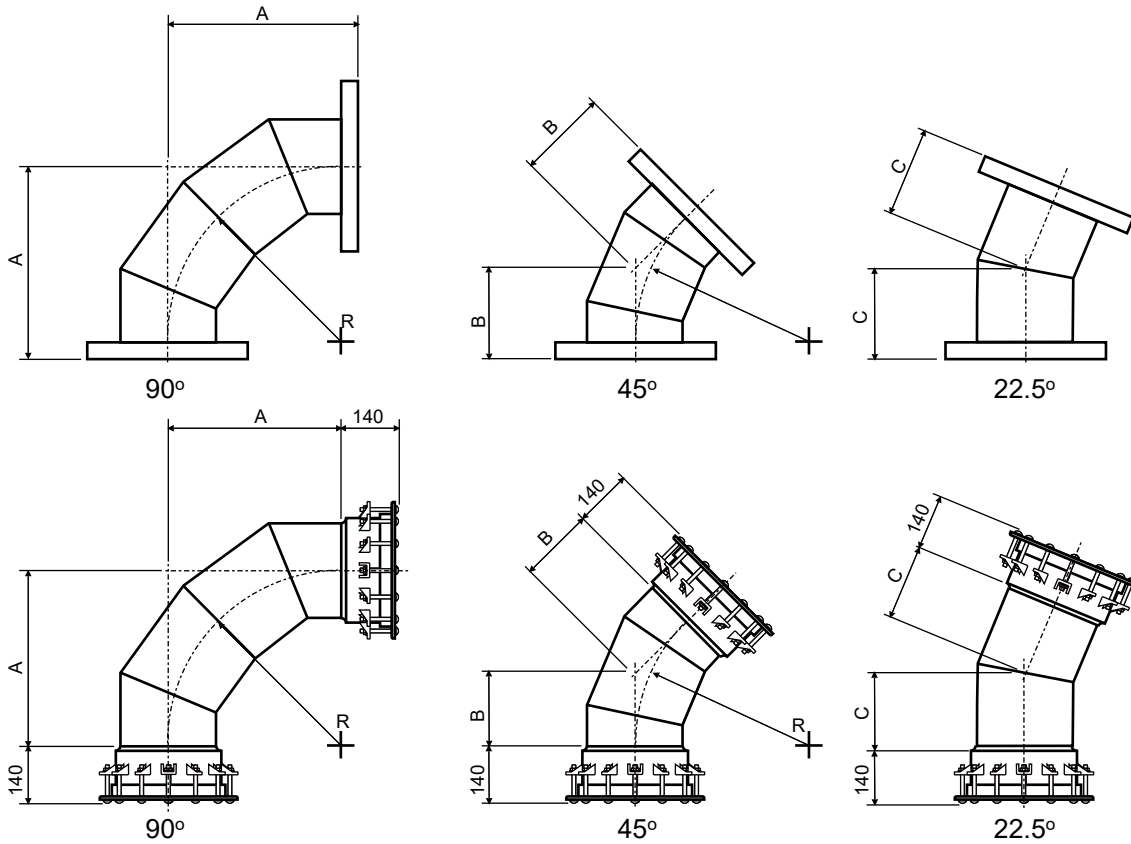


Unit mm

Nominal Size DN	Pipe OD	Centre to Face			Radius R
		A	B	C	
50	60.3	160	135	110	80
80	88.9	180	145	110	100
100	114.3	195	155	115	120
150	168.3	230	155	115	165
200	219.1	230	155	145	220
250	273.1	280	180	140	280
300	323.9	305	205	155	305
350	355.6	355	230	180	355
400	406.4	405	255	205	405
450	457	460	280	230	460
500	508	510	305	255	510
550	559	560	330	280	560
600	610	610	355	305	610
650	660	660	380	330	660
700	711	710	405	355	710
750	762	760	430	380	760
800	813	815	460	405	815
850	854	865	485	430	865
900	914	915	510	460	915
1000	1016	1020	568	512	1020
1100	1118	1120	623	562	1120
1200	1219	1220	680	612	1220

## VEROFLO MEDIUM RADIUS BENDS

### Flanged and Socketed Medium Radius Bends



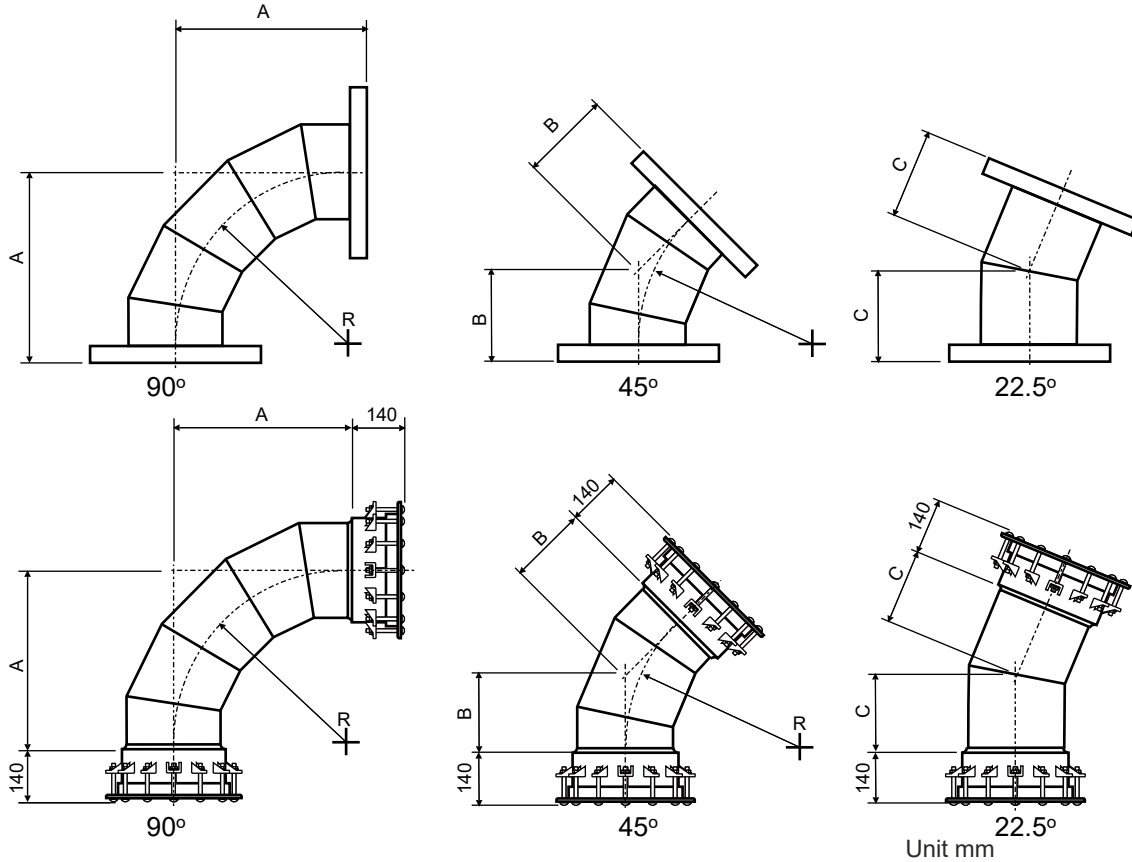
Unit mm

Nominal Size DN	Pipe OD	Centre to Face			Radius R
		A	B	C	
50	60.3	180	140	110	100
80	88.9	220	160	120	150
100	114.3	260	180	125	200
150	168.3	340	215	135	300
200	219.1	405	205	140	405
250	273.1	510	255	180	510
300	323.9	610	305	205	610
350	355.6	710	355	240	710
400	406.4	815	405	280	815
450	457	915	460	305	915
500	508	1020	510	345	1020
550	559	1120	560	380	1120
600	610	1220	610	405	1220
650	660	1320	660	445	1320
700	711	1420	710	485	1420
750	762	1520	760	510	1520
800	813	1630	815	545	1630
850	854	1730	865	585	1730
900	914	1830	915	610	1830
1000	1016	2040	1020	680	2040
1100	1118	2240	1120	750	2240
1200	1219	2440	1220	815	2440



## VEROFLO LONG RADIUS BENDS

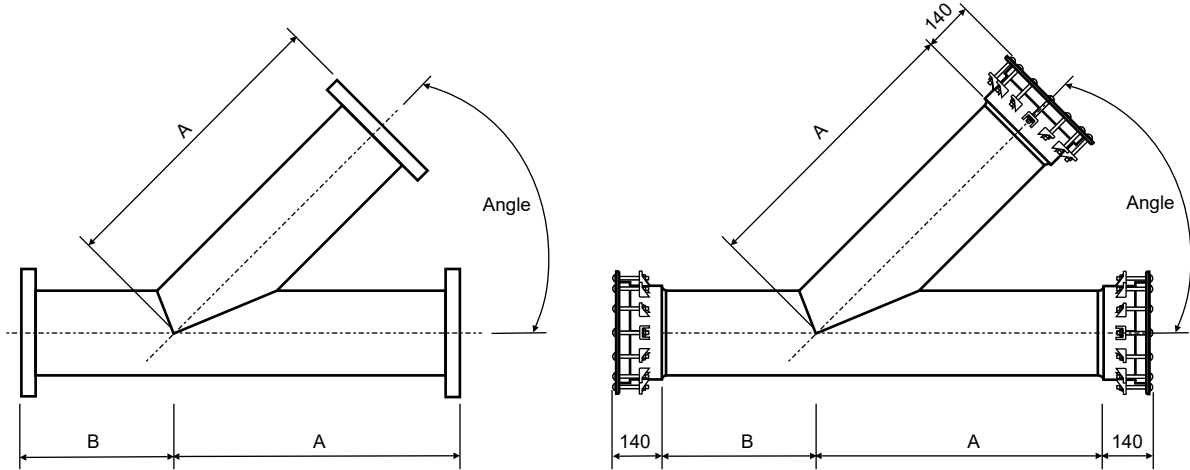
### Flanged and Socketed Long Radius Bends



Nominal Size DN	Pipe OD	Centre to Face			Radius R
		A	B	C	
50	60.3	225	150	105	150
80	88.9	305	200	100	250
100	114.3	350	230	115	300
150	168.3	450	300	150	450
200	219.1	610	405	205	610
250	273.1	760	510	255	760
300	323.9	815	610	305	815
350	355.6	1065	710	355	1065
400	406.4	1215	815	405	1215
450	457	1380	915	460	1380
500	508	1530	1020	510	1530
550	559	1680	1120	560	1680
600	610	1830	1220	610	1830
650	660	1980	1320	660	1980
700	711	2130	1420	710	2130
750	762	2280	1520	760	2280
800	813	2445	1630	815	2445
850	854	2595	1730	865	2595
900	914	2745	1830	915	2745
1000	1016	3060	2040	1020	3060
1100	1118	3360	2240	1120	3360
1200	1219	3660	2440	1220	3660

## VEROFLO LATERAL TEES

### Flanged and Socketed Lateral Tees

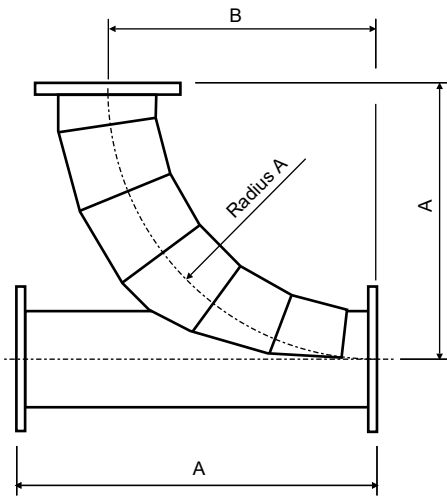


Unit mm

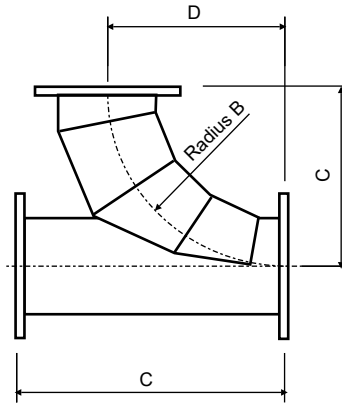
Nominal Size DN	Pipe OD	Angle 60°		Angle 45°		Angle 30°	
		A	B	A	B	A	B
50	60.3	200	120	220	120	250	100
80	88.9	230	130	260	130	320	130
100	114.3	260	140	300	140	370	140
150	168.3	315	160	380	160	480	160
200	219.1	430	180	610	100	815	100
250	273.1	485	200	685	130	940	125
300	323.9	535	225	760	155	1005	215
350	355.6	585	255	840	180	1195	175
400	406.4	635	280	815	205	1320	200
450	457	685	305	990	230	1450	220
500	508	740	325	1065	255	1575	255
550	559	790	350	1140	380	1700	280
600	610	840	380	1220	300	1830	300
650	660	890	405	1295	335	1955	325
700	711	940	430	1370	360	2080	350
750	762	990	455	1445	385	2210	385
800	813	1045	475	1520	410	2335	410
850	854	1095	500	1595	435	2456	439
900	914	1145	525	1670	460	2595	445
1000	1016	1270	590	1890	510	2885	495
1100	1118	1400	650	2070	560	3190	545
1200	1219	1530	710	2255	610	3475	595

## VEROFLO SWEEP TEES

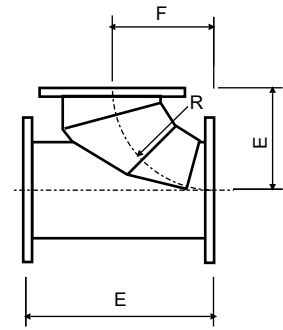
### Flanged Sweep Tees



Long Radius 3D



Medium Radius 2D



Short Radius 1D

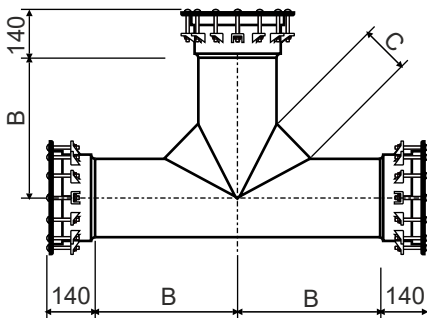
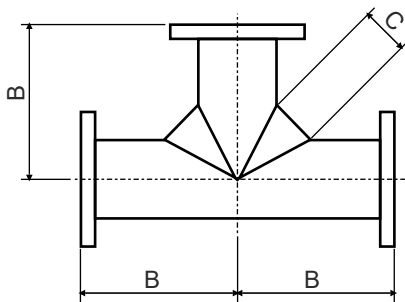
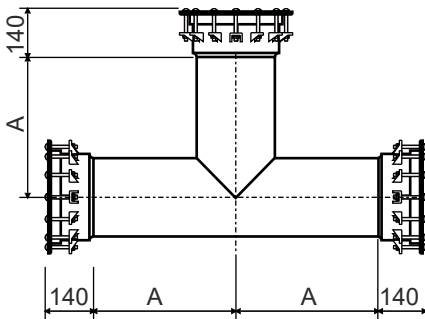
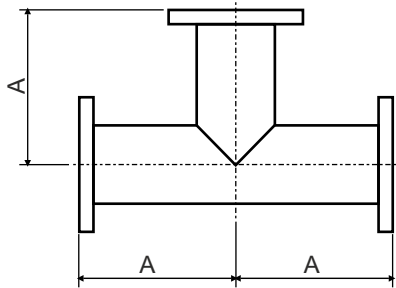
Unit mm

Nominal Size DN	Pipe OD	Long Radius		Medium Radius		Short Radius		
		A	B	C	D	E	F	R
50	60.3	150	240	100	150	250	135	65
80	88.9	230	330	160	240	320	190	89
100	114.3	305	430	200	300	130	220	105
150	168.3	455	635	300	450	180	355	160
200	219.1	610	815	405	610	230	430	205
250	273.1	760	1020	510	760	280	535	255
300	323.9	915	1220	610	915	305	610	280
350	355.6	1070	1420	710	1070	355	710	330
400	406.4	1215	1630	815	1215	405	810	380
450	457	1380	1830	915	1380	460	920	430
500	508	1530	2040	1020	1530	510	1020	485
550	559	1680	2240	1120	1680	560	1120	535
600	610	1830	2440	1220	1830	610	1220	585
650	660	1980	2640	1320	1980	660	1320	635
700	711	2130	2840	1420	2130	710	1420	685
750	762	2280	3040	1520	2280	760	1520	740
800	813	2445	3260	1630	2445	810	1630	790
850	854	2595	3460	1730	2595	865	1730	840
900	914	2745	3660	1830	2745	915	1830	890
1000	1016	3060	4080	2040	3060	1020	2040	995
1100	1118	3360	4480	2240	3360	1120	2240	1090
1200	1219	3660	4880	2440	3660	1220	2440	1190

## VEROFLO FLANGED AND SOCKETED TEES

### All Flanged Tee and All Socketed Tees

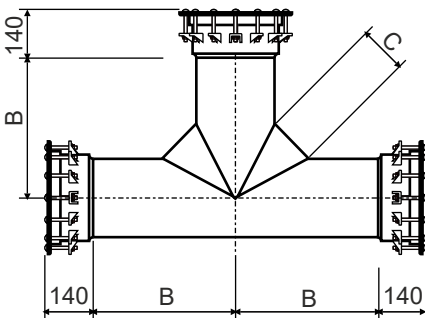
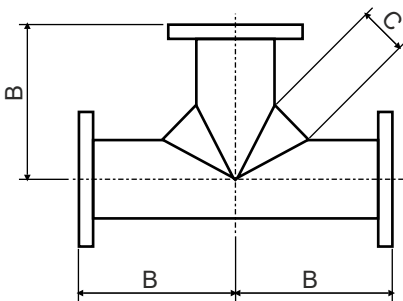
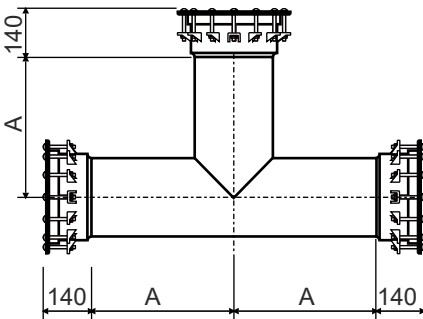
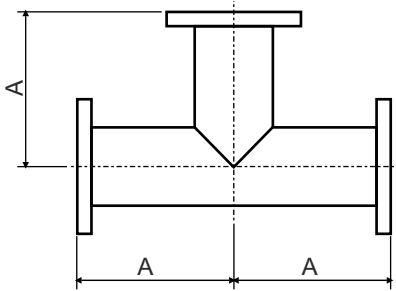
Unit mm



Nom. Size Pipe Run DN	Tee Run OD	Nom. Size Tee Branch DN	Tee Branch OD	A	B	C
<b>50</b>	60.3	50	60.3	130	200	25
	<b>80</b>	50	60.3	150	230	25
80		88.9	150	230	40	
<b>100</b>	50	60.3	180	280	25	
	80	88.9	180	280	40	
	100	114.3	180	280	50	
<b>150</b>	50	60.3	230	355	25	
	80	88.9	230	355	40	
	100	114.3	230	355	50	
	150	168.3	230	355	75	
<b>200</b>	50	60.3	230	355	25	
	80	88.9	230	355	40	
	100	114.3	230	355	50	
	150	168.3	230	355	75	
	200	219.1	230	355	102	
<b>250</b>	50	60.3	280	405	127	
	80	88.9	280	405	40	
	100	114.3	280	405	50	
	150	168.3	280	405	75	
	200	219.1	280	405	102	
	250	273.1	280	405	127	
<b>300</b>	50	60.3	305	460	25	
	80	88.9	305	460	40	
	100	114.3	305	460	50	
	150	168.3	305	460	75	
	200	219.1	305	460	102	
	250	273.1	305	460	127	
	300	323.9	305	460	155	
<b>350</b>	50	60.3	355	510	25	
	80	88.9	355	510	40	
	100	114.3	355	510	50	
	150	168.3	355	510	75	
	200	219.1	355	510	102	
	250	273.1	355	510	127	
	300	323.9	355	510	155	
<b>400</b>	50	60.3	405	560	25	
	80	88.9	405	560	40	
	100	114.3	405	560	50	
	150	168.3	405	560	75	
	200	219.1	405	560	102	
	250	273.1	405	560	127	
	300	323.9	405	560	155	
	350	355.6	405	560	180	
<b>400</b>	50	60.3	405	560	25	
	80	88.9	405	560	40	
	100	114.3	405	560	50	
	150	168.3	405	560	75	
	200	219.1	405	560	102	
	250	273.1	405	560	127	
	300	323.9	405	560	155	
	350	355.6	405	560	180	
400	406.4	405	560	205		

## VEROFLO FLANGED AND SOCKETED TEES

Unit mm

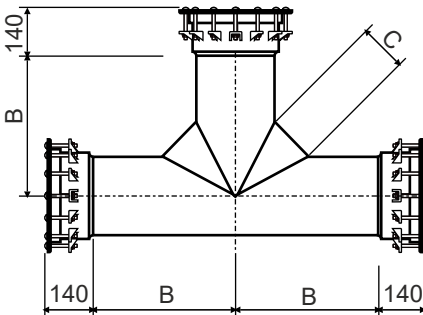
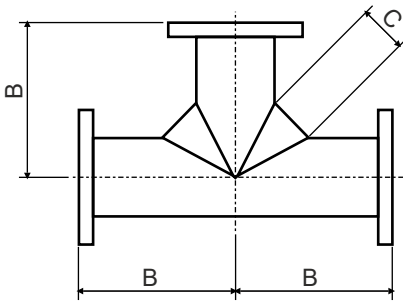
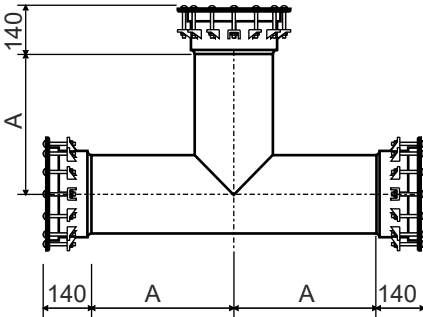
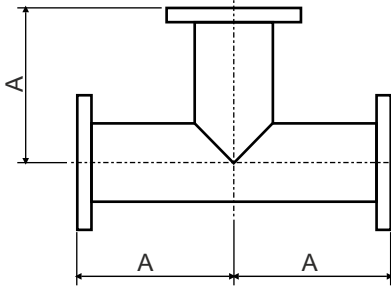


Nom. Size Pipe Run DN	Tee Run OD	Nom. Size Tee Branch DN	Tee Branch OD	A	B	C
<b>450</b>	457	50	60.3	460	610	25
		80	88.9	460	610	40
		100	114.3	460	610	50
		150	168.3	460	610	75
		200	219.1	460	610	102
		250	273.1	460	610	127
		300	323.9	460	610	155
		350	355.6	460	610	180
		400	406.4	460	610	205
		450	457	460	610	230
<b>500</b>	508	50	60.3	510	660	25
		80	88.9	510	660	40
		100	114.3	510	660	50
		150	168.3	510	660	75
		200	219.1	510	660	102
		250	273.1	510	660	127
		300	323.9	510	660	155
		350	355.6	510	660	180
		400	406.4	510	660	205
		450	457	510	660	230
500	508	510	660	255		
<b>550</b>	559	50	60.3	560	710	25
		80	88.9	560	710	40
		100	114.3	560	710	50
		150	168.3	560	710	75
		200	219.1	560	710	102
		250	273.1	560	710	127
		300	323.9	560	710	155
		350	355.6	560	710	180
		400	406.4	560	710	205
		450	457	560	710	230
500	508	560	710	255		
550	559	560	710	288		
<b>600</b>	610	50	60.3	610	760	25
		80	88.9	610	760	40
		100	114.3	610	760	50
		150	168.3	610	760	75
		200	219.1	610	760	102
		250	273.1	610	760	127
		300	323.9	610	760	155
		350	355.6	610	760	180
		400	406.4	610	760	205
		450	457	610	760	230
		500	508	610	760	25
		550	559	610	760	288
600	610	610	760	305		

## VEROFLO FLANGED AND SOCKETED TEES

### All Flanged Tee and All Socketed Tees

Unit mm

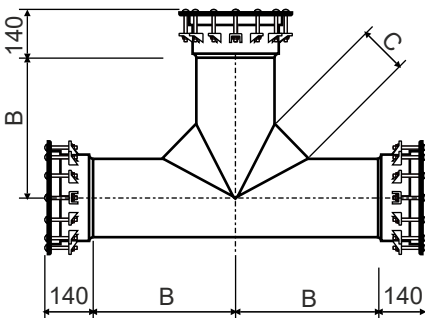
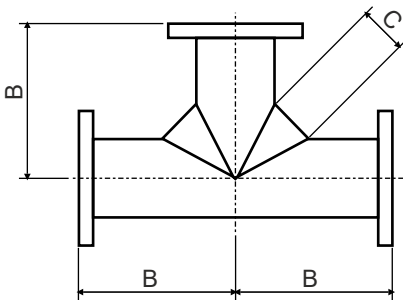
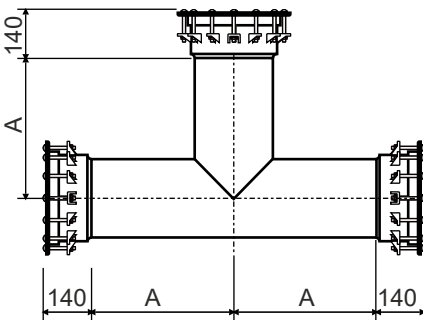
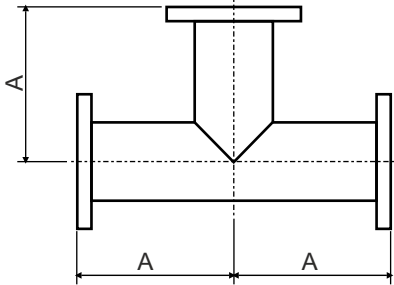


Nom. Size Pipe Run DN	Tee Run OD	Nom. Size Tee Branch DN	Tee Branch OD	A	B	C
<b>650</b>	660	100	114.3	660	815	50
		150	168.3	660	815	75
		200	219.1	660	815	102
		250	273.1	660	815	127
		300	323.9	660	815	155
		350	355.6	660	815	180
		400	406.4	660	815	205
		450	457	660	815	230
		500	508	660	815	255
		550	560	660	815	280
		600	610	660	815	305
		650	660	660	815	330
		<b>700</b>	711	100	114.3	710
150	168.3			710	865	127
200	219.1			710	865	155
250	273.1			710	865	180
300	323.9			710	865	205
350	355.6			710	865	230
400	406.4			710	865	255
450	457			710	865	280
500	508			710	865	305
550	560			710	865	330
600	610			710	865	355
650	660			710	865	380
700	711			710	865	405
<b>750</b>	762	100	114.3	760	915	50
		150	168.3	760	915	75
		200	219.1	760	915	102
		250	273.1	760	915	127
		300	323.9	760	915	155
		350	355.6	760	915	180
		400	406.4	760	915	205
		450	457	760	915	230
		500	508	760	915	255
		550	560	760	915	280
		600	610	760	915	305
		650	660	760	915	330
		700	711	760	915	355
750	760	760	915	380		

## VEROFLO FLANGED AND SOCKETED TEES

### All Flanged Tee and All Socketed Tees

Unit mm

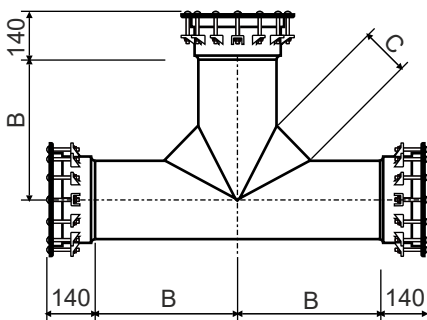
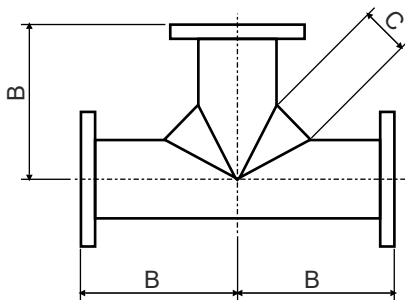
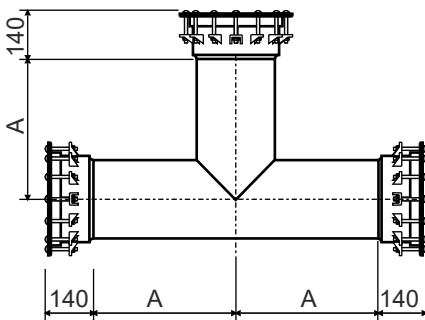
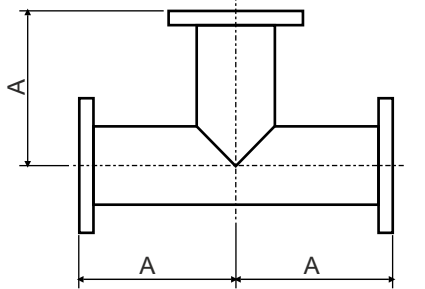


Nom. Size Pipe Run DN	Tee Run OD	Nom. Size Tee Branch DN	Tee Branch OD	A	B	C
<b>800</b>	813	150	168.3	815	970	75
		200	219.1	815	970	102
		250	273.1	815	970	127
		300	323.9	815	970	155
		350	355.6	815	970	180
		400	406.4	815	970	205
		450	457	815	970	230
		500	508	815	970	255
		550	560	815	970	280
		600	610	815	970	305
		650	660	815	970	330
		700	711	815	970	355
		750	760	815	970	380
		800	813	815	970	405
<b>850</b>	864	150	168.3	865	1020	75
		200	219.1	865	1020	102
		250	273.1	865	1020	127
		300	323.9	865	1020	155
		350	355.6	865	1020	180
		400	406.4	865	1020	205
		450	457	865	1020	230
		500	508	865	1020	255
		550	560	865	1020	280
		600	610	865	1020	305
		650	660	865	1020	330
		700	711	865	1020	355
		750	760	865	1020	380
		800	813	865	1020	405
850	864	865	1020	430		
<b>900</b>	911	150	168.3	915	1070	75
		200	219.1	915	1070	102
		250	273.1	915	1070	127
		300	323.9	915	1070	155
		350	355.6	915	1070	180
		400	406.4	915	1070	205
		450	457	915	1070	230
		500	508	915	1070	255
		550	560	915	1070	280
		600	610	915	1070	305
		650	660	915	1070	330
		700	711	915	1070	355
		750	760	915	1070	380
		800	813	915	1070	405
850	864	915	1070	430		
900	910	915	1070	480		

## VEROFLO FLANGED AND SOCKETED TEES

### All Flanged Tee and All Socketed Tees

Unit mm



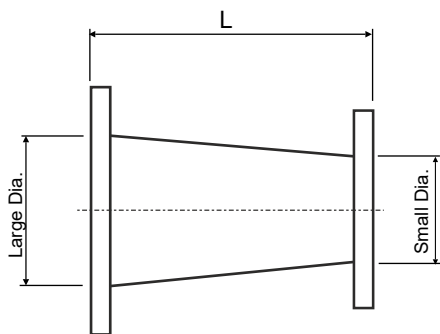
Nom. Size Pipe Run DN	Tee Run OD	Nom. Size Tee Branch DN	Tee Branch OD	A	B	C
<b>1000</b>	1050	150	168.3	1020	1195	75
		200	219.1	1020	1195	102
		250	273.1	1020	1195	127
		300	323.9	1020	1195	155
		350	355.6	1020	1195	180
		400	406.4	1020	1195	205
		450	457	1020	1195	230
		500	508	1020	1195	255
		550	560	1020	1195	280
		600	610	1020	1195	305
		650	660	1020	1195	330
		700	711	1020	1195	355
		750	760	1020	1195	380
		800	813	1020	1195	405
		850	864	1020	1195	430
		900	910	1020	1195	460
1000	1016	1020	1195	510		
<b>1200</b>	1219	150	168.3	1220	1430	75
		200	219.1	1220	1430	102
		250	273.1	1220	1430	127
		300	323.9	1220	1430	155
		350	355.6	1220	1430	180
		400	406.4	1220	1430	205
		450	457	1220	1430	230
		500	508	1220	1430	255
		550	560	1220	1430	280
		600	610	1220	1430	305
		650	660	1220	1430	330
		700	711	1220	1430	355
		750	760	1220	1430	380
		800	813	1220	1430	405
		850	864	1220	1430	430
		900	910	1220	1430	460
1000	1016	1220	1430	510		
1200	1219	1220	1430	610		



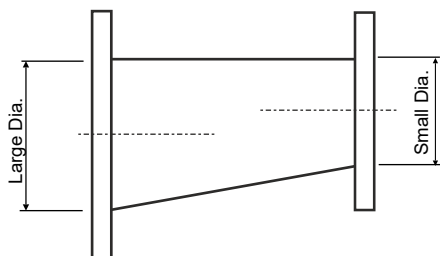
## VEROFLO REDUCERS

### All Flanged Concentric and Eccentric Reducers

Unit mm



Concentric Reducer



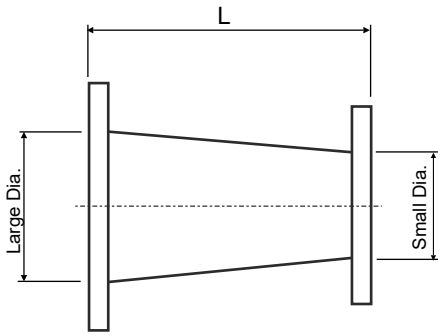
Eccentric Reducer

Nom. Size Large Dia DN	Large Dia. OD	Nom. Size Small Dia DN	Small Dia. OD	L
<b>80</b>	88.9	50	60.3	130
<b>100</b>	114.3	80	88.9	150
<b>150</b>	168.3	100	114.3	150
		80	88.9	180
<b>200</b>	219.1	150	168.3	180
		100	114.3	180
<b>250</b>	273.1	200	219.1	205
		150	168.3	205
		100	88.9	205
<b>300</b>	323.9	250	273.1	230
		200	219.1	230
		150	168.3	230
<b>350</b>	355.6	300	323.9	255
		250	273.1	255
		200	219.1	230
<b>400</b>	406.4	350	355.6	280
		300	323.9	280
		250	273.1	280
<b>450</b>	457	400	406.4	305
		350	355.6	305
		300	323.9	305
<b>500</b>	508	450	457	330
		400	406.4	330
<b>550</b>	559	500	508	355
		450	457	355
		400	406.4	355
		350	355	355
<b>600</b>	610	550	559	380
		500	508	380
		450	457	380
		400	406.4	380
<b>650</b>	660	600	610	405
		550	559	405
		500	508	405
		450	457	405
		400	406.4	405
<b>700</b>	711	650	660	430
		600	610	430
		550	559	430
		500	508	430
<b>750</b>	762	700	711	460
		650	610	460
		600	610	460
		550	559	460
		500	508	460

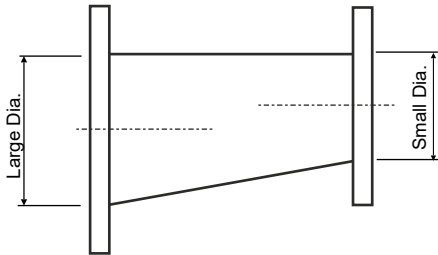
## VEROFLO REDUCERS

### All Flanged Concentric and Eccentric Reducers

Unit mm



Concentric Reducer



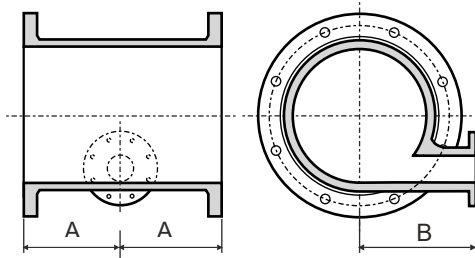
Eccentric Reducer

Nom. Size Large Dia DN	Large Dia. OD	Nom. Size Small Dia DN	Small Dia. OD	L
<b>800</b>	813	750	762	485
		700	711	485
		650	660	485
		600	610	485
		550	560	485
<b>850</b>	864	800	813	510
		750	762	510
		700	711	510
		650	660	510
		600	610	510
<b>900</b>	914	850	864	535
		800	813	535
		750	762	535
		700	711	535
		650	660	535
<b>1000</b>	1016	900	914	280
		850	860	280
		800	813	280
		750	762	305
		700	711	305
<b>1100</b>	1118	1000	1016	305
		900	914	330
		850	860	330
		750	762	355
<b>1200</b>	1219	1100	1118	355
		1000	1016	355
		900	914	355
		850	860	380
		800	813	380

## VEROFLO FLANGED SCOUR TEES

### Double Flanged Scour Tee with Flanged Branch

Unit mm

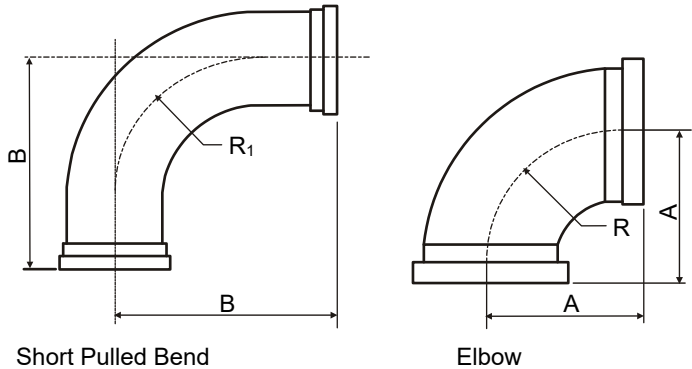


Nom. Size Pipe Run DN	Tee Run OD	Nom. Size Tee Branch DN	Tee Branch OD	A	B
<b>80</b>	60.3	50	60.3	150	150
		80	88.9	180	180
<b>100</b>	114.3	50	60.3	180	180
		80	88.9	230	230
<b>150</b>	168.3	50	60.3	230	230
		80	88.9	230	230
<b>200</b>	219.1	50	60.3	230	230
		80	88.9	230	230
		100	114.3	230	230
<b>250</b>	273.1	80	88.9	280	280
		100	114.3	280	280
<b>300</b>	323.9	80	88.9	305	305
		100	114.3	305	305
<b>350</b>	355.6	80	88.9	360	360
		100	114.3	360	360
		150	168.3	360	360
<b>400</b>	406.5	100	114.3	405	405
		150	168.3	405	405
		200	219.1	405	405
<b>450</b>	457	100	114.3	460	460
		150	168.3	460	460
		200	219.1	460	460
<b>500</b>	508	150	168.3	510	510
		200	219.1	510	510
		250	273.1	510	510
<b>600</b>	610	150	168.3	610	610
		200	219.1	610	610
		250	273.1	610	610
		300	323.1	610	610
<b>700</b>	711	200	219.1	710	710
		250	273.1	710	710
		300	323.1	710	710
<b>800</b>	813	200	219.1	815	815
		250	273.1	815	815
		300	323.1	815	815
		350	371	815	815
<b>900</b>	914	250	273.1	915	915
		300	323.1	915	915
		350	371	915	815
<b>1000</b>	1050	250	273.1	1020	1020
		300	323.1	1020	1020
		350	371	1020	1020
<b>1200</b>	1219	250	273.1	1220	1220
		300	323.1	1220	1220
		350	371	1220	1220
		400	406	1220	1220

## VEROFLO SHOULDERED BENDS AND ELBOWS

### 90° Shouldered Short Pulled Bends and Elbows

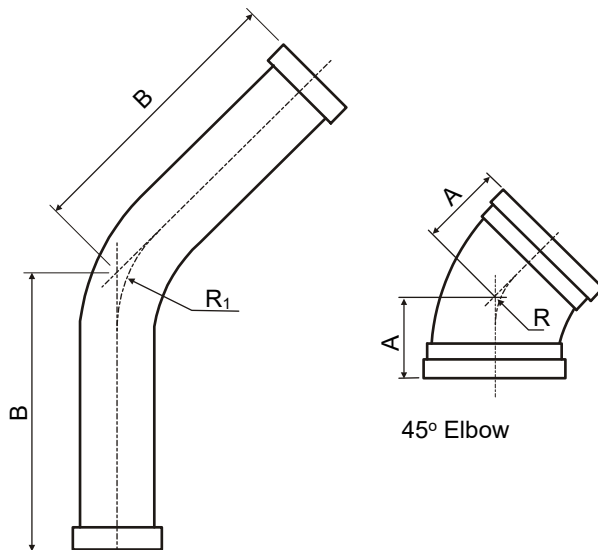
Unit mm



Nominal Size DN	Pipe OD	8 $\lambda$	R	B	R <sub>1</sub>
		108			
50	60.3	133	48	152	124
80	88.9	165	69	203	175
100	114,3	197	98	254	226
150	168.3	229	125	305	276
200	219.1	254	160	305	276
250	273,1	324	229	381	349
300	323.9		254	453	407
350	355.6		324	498	448

### 45° Shouldered Short Pulled Bend and Elbows

Unit mm

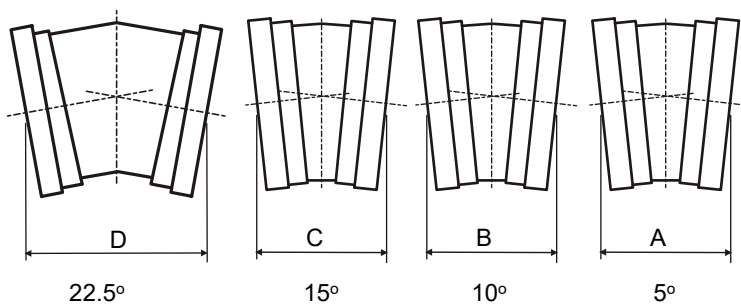


Nominal Size DN	Pipe OD	A	R	B	R <sub>1</sub>
50	60.3	61	83	229	153
80	88.9	62	87	336	230
100	114,3	71	110	368	305
150	168.3	89	133	432	
200	219.1	108	159	533	
250	273,1	121	197		
300	323.9	133	205		
350	355.6	184	319		

45° Short Pulled Bend

### 5°, 10°, 15° and 22.5° Shouldered Elbows

Unit mm

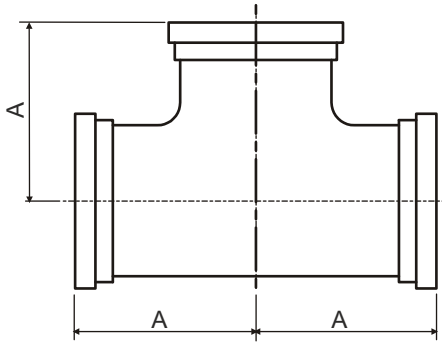


Nominal Size DN	Pipe OD mm	A 5°	B 10°	C 15°	D 22.5°
50	60.3	72	72	82	102
80	88.9	76	76	88	114
100	114,3	87	87	101	120
150	168.3	97	97	107	162
200	219.1	127	127	126	191
250	273,1	191	191	-	210
300	323.9	225	225	240	235
350	355.6	225	225	240	260

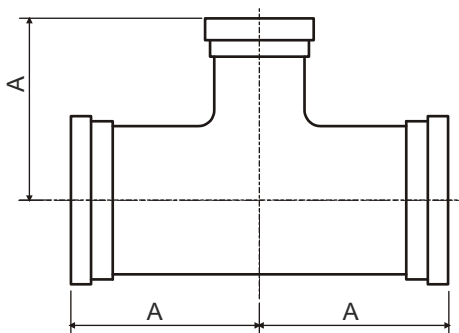
## VEROFLO SHOULDERED TEES

### Shouldered Tees

Unit mm



Shouldered Equal Tee

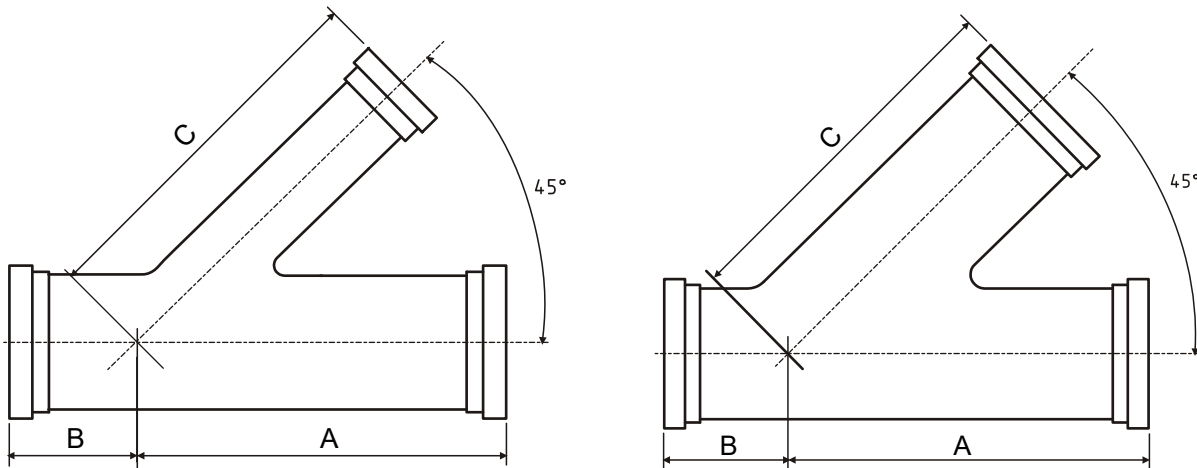


Shouldered Tee

Nom. Size Pipe Run DN	Tee Run OD	Nom. Size Tee Branch DN	Tee Branch OD	A
<b>50</b>	60.3	50	60.3	86.5
		80	88.9	108
<b>80</b>	114.3	50	60.3	133
		80	88.9	133
		100	114.3	133
<b>100</b>	168.3	50	60.3	165
		80	88.9	165
		100	114.3	165
		150	168.3	165
<b>150</b>	219.1	80	88.9	210
		100	114.3	210
		150	168.3	210
		200	219.1	210
<b>200</b>	273.1	50	60.3	267
		80	88.9	267
		100	114.3	267
		150	168.3	267
		200	219.1	267
<b>250</b>	323.9	250	273.1	267
		50	60.3	265
		150	168.3	265
		300	323.9	265
		350	355.6	280
<b>300</b>	355.6	100	114.3	280
		250	273.1	280
		350	355.6	280

## VEROFLO SHOULDERED LATERAL TEES

### 45° Equal and Unequal Shouldered Lateral Tees

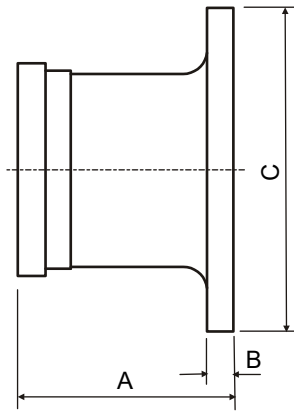


Unit mm

Nom. Size Pipe Run DN	Tee Run OD	Nom. Size Tee Branch DN	Tee Branch OD	A	B	C
<b>50</b>	60.3	50	60.3	203	76	203
		80	88.9	216	63	203
<b>100</b>	114.3	50	60.3	242	51	229
		80	88.9	254	64	241
		100	114.3	302	104	302
<b>150</b>	168.3	50	60.3	279	51	254
		80	88.9	292	64	279
		100	114.3	330	76	305
		150	168.3	381	114	381
<b>200</b>	219.1	50	60.3	343	13	330
		80	88.9	356	50	381
		100	114.3	406	51	406
		150	168.3	432	76	457
		200	219.1	483	177	483
<b>250</b>	273.1	200	219.1	508	152	489
		250	273.1	546	191	546
<b>300</b>	323.9	300	323.9	760	155	760
<b>350</b>	355.6	100	114,3	553	85	557
		200	219.1	610	142	610
		350	355.6	840	180	840

## VEROFLO SHOULDERED FLANGED ADAPTOR

Shouldered to Flanged Adaptor

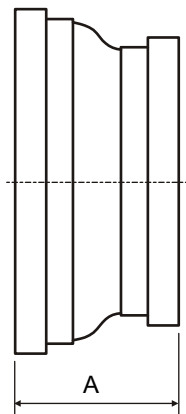


Unit mm

Nominal Size DN	Pipe OD	A	B	C
50	60.3	83	12	165
80	88.9	102	14	200
100	114.3	127	14	220
150	168.3	127	18	285
200	219.1	127	22	340
250	273.1	127	24	405
300	323.9	127	28	460
350	355.6	127	30	520

## VEROFLO SHOULDERED REDUCER

Shouldered Reducer



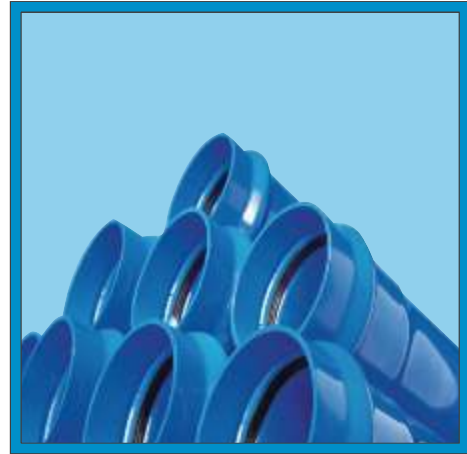
Unit mm

Nom. Size Large Dia. DN	Large Dia OD	Nom. Size Small Dia. DN	Small Dia OD	A
<b>100</b>	114.3	50	60.3	64
		80	88.9	76
		100	114.3	76
<b>200</b>	219.1	100	114.3	76
		150	168.3	76
<b>250</b>	273.1	150	168.3	102
		200	219.1	102
<b>300</b>	323.9	100	114.3	102
		200	219.1	102
		250	273.1	102
<b>350</b>	355.6	100	114.3	102
		150	168.3	102
		250	273.1	102
		300	323.9	102

Rexus is a designer, manufacturer and supplier of Pipe, Valves, Fittings and Couplings. Our products and services include:



KII Couplings Flange Adaptors and Dismantling Joints are 100% locally manufactured in sizes 40mm to 1600mm and for pressure ratings of up to PN40 as standard. We offer short lead times.



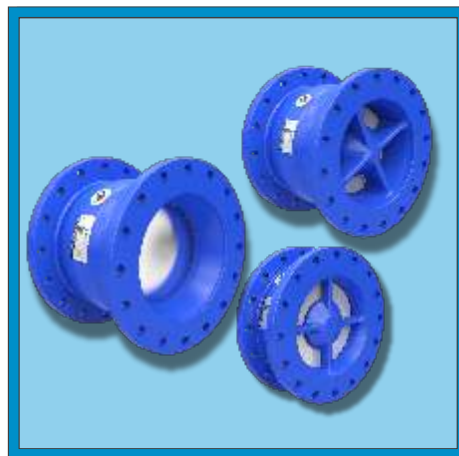
In addition to Ductile Iron Pipe, Rexus is a large distributor of PVC, HDPE and Steel Pipe in diameters up to 1000 NB. All pipe is supplied with associated Valves and Fittings.



Rexus is the manufacturer and supplier of the AirFlo range of air valves for Water and Sewer pipelines. Air Valves are manufactured in sizes DN25 to DN300 and for pressure ratings of up to PN100. AirFlo air valves have four functions as stand including automatic Surge protection.



Rexus manufactures the KII range of Double Offset Butterfly valves in sizes DN200 to DN1200 and for pressure ratings PN10 to PN40. Valves are available fusion bonded epoxy coated and in various trim options.



Rexus is the manufacturer and supplier of the CheckFlo range of Nozzle Check, Swing Check and Silent for Water pipelines. Check Valves are manufactured in sizes DN50 to DN1200 and for pressure ratings of up to PN100. CheckFlo valves have low headloss, are maintenance free and prevent Surge.



Rexus is one of the largest manufacturers of fabricated Steel fittings for Water and Wastewater pipelines. Our fittings are manufactured under the VeroFlo brand in sizes DN50 to DN 1600 and for pressure ratings of PN64 as standard. All fittings are fusion bonded epoxy coated as standard.

Rexus provides the most comprehensive, technical, logistical and after sales support in the industry. Try Us!