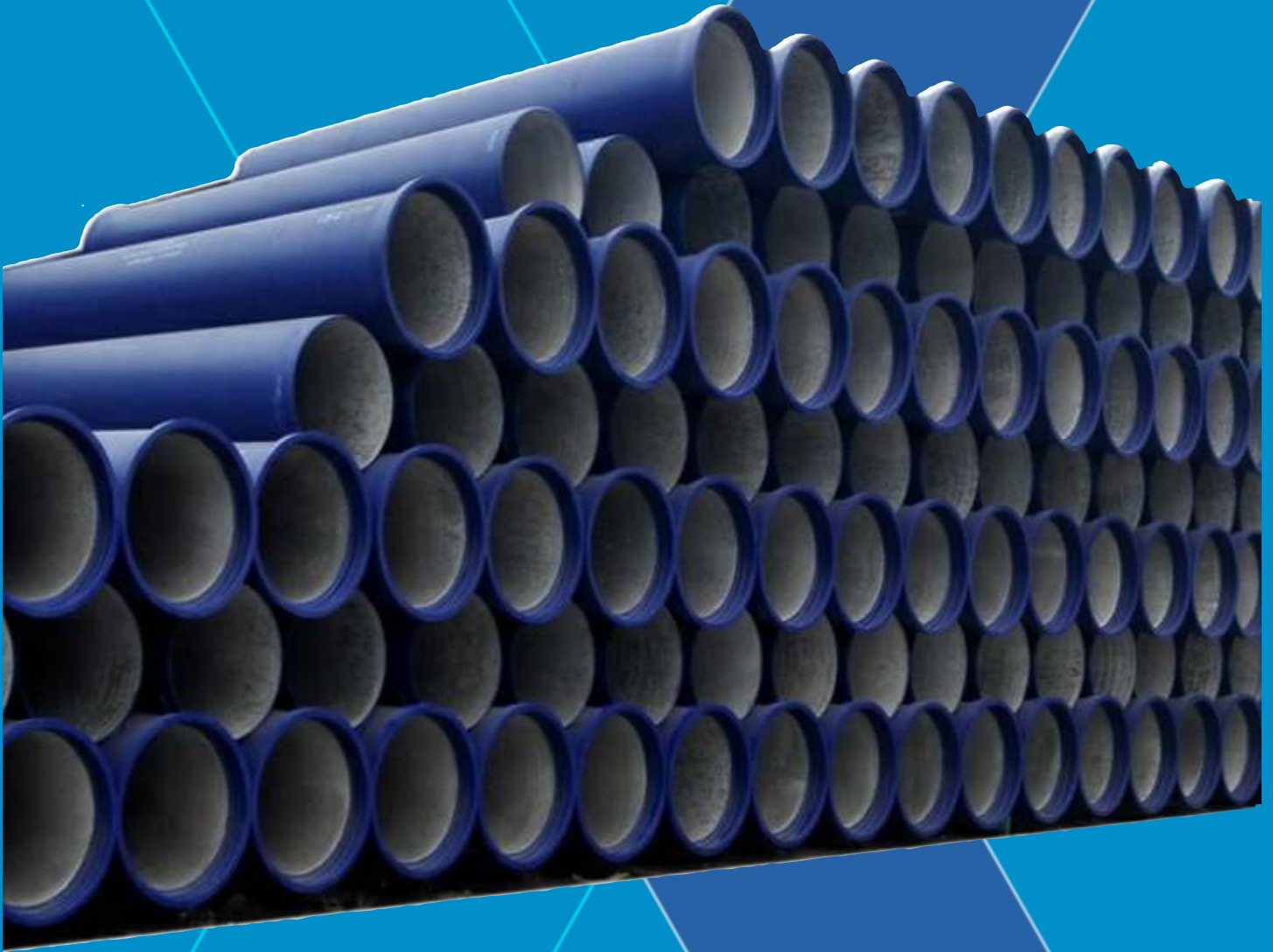


reXus



**KII**

# Ductile Iron Pipe & Fittings

*Ductile Iron Pipes and Fittings  
for Potable Water, Reclaimed Water and Sewerage Applications*

## The REXUS Difference

The specialised field of pressure pipeline systems demands in depth knowledge and experience. REXUS has identified the need to establish a unique design, technical and sales team dedicated to the design, manufacture and supply of a wide range of materials for water, waste water, sewage treatment and pumping stations.

At REXUS our team will provide you with professional advice on the most technically sound and commercially viable solutions. We are committed to value engineering, supplying you with fit for purpose materials in the most cost effective form.

Our strong and intimate relationship with our products and our market, from design and manufacture to the final operation of our products in the field, ensures you get the most up to date information about new products and innovations, enabling REXUS to offer you the most competitive material range and pipeline solutions.

At REXUS we put our customer at the centre of our operations. It is our mission to listen attentively to your needs and to continuously develop our products and services to meet your requirements.

REXUS upholds exactly the same objectives as our clients namely innovation and cost reduction and are constantly striving to identify both efficiencies and cost savings that can and will enhance our customers businesses.

## REXUS KII Ductile Iron Pipe

Ductile Iron Pipe has proven to be dependable through thousands of applications over several decades in many different countries. It exhibits exceptional strength and reliability, with unequalled durability in the transport of raw and potable water, sewage and slurries. It's able to resist damage during shipping and handling, and can withstand the most demanding working conditions, including deep trenches, heavy traffic, river crossings, above ground applications, water hammer, rocky trenches, and areas of expansive, shifting and unstable soils.

Ductile Iron Pipe is lined with Cement mortar, and coated with zinc and bitumen coating as standard. Different types of internal linings for a wide range of special applications can be specified.

The pipe is manufactured in 6 metre nominal laying lengths, and is supplied with a standard or various types of restraint joint. A wide variety of standard fittings are also available. Because of its socket jointing system, installation of Ductile Iron pipe is simple and the product is virtually maintenance free.

Inside diameters of Ductile Iron pipes are larger than other pipe materials of the same nominal diameter, and combined with its pipe's high flow coefficient, Ductile Iron Pipe offer substantial savings on pumping (and therefore power) costs over the life of the pipeline.





# DUCTILE IRON PIPES & FITTINGS

## Content

Why Ductile Iron Pipe?	1
Ductile Iron Pipe Standards and Specifications	2 - 3
Ductile Iron Pipe Jointing Options	4
Ductile Iron Pipe Dimensions	5 - 6
Fittings for Ductile Iron Pipe	7
Ductile Iron Pipe Fittings Dimensions	8 - 26

REXUS Ductile Iron Pipe has exceptional inherent properties that make it highly suitable as a pressure pipe material. Properties include:

### **High Resistance to Surge and Water Hammer**

Due to its high carbon content, REXUS Ductile Iron Pipe has an inherent damping capacity and a high resistance to cyclic failure. Standard pressure classes allow for high operating pressures. The pipe is also designed with a high safety factor in excess of 3 times the pipe operating pressure to allow for abnormal surge conditions.

### **Impermeable**

Because REXUS Ductile Iron Pipe is impermeable contaminated soil cannot penetrate the pipe wall. Combined with the pipe design's reliable sealing system, this ensures years of reliable operation under all pipeline pressure extremes.

### **High Flow Capacities**

The internal diameter of REXUS Ductile Iron pipe is larger than that of any other pipe material. Also, because of its smooth mortar lining REXUS Ductile Iron pipe provides the least resistance to flow. This ensures a reduction in energy consumption across the Life Cycle of the system.

### **Limits Cathodic Corrosion**

Every REXUS Ductile Iron Pipe length is insulated from the next with no continuity of current flow. The pipe's high carbon content also provides a natural resistance to corrosion. The standard coating provides additional protection and ensures decades of maintenance free operation without need for cathodic protection in most applications.

### **Coatings and Linings**

To protect against the formation of tuberculation, Ductile Iron pipe is supplied as standard with an active cement mortar lining. External protection is a zinc base coating and bitumen external coat. The long term durability of these methods of coating and lining has been proven in thousands of applications. A wide selection of alternative coatings to suit virtually every application is also available.

### **Jointing**

REXUS Ductile Iron Pipe makes use of a reliable spigot and socket jointing with a dynamic sealing system. The seal is a pressure fit that allows for partial vacuum conditions in the pipeline without the drawing in of the seal. The integrity of the seal actually increases as the pressure increases. The jointing also allows for angular deflection.

This makes ductile iron pipe easy and quick to lay. REXUS also provides a standard Restrained Seal which eliminates the need for thrust blocks in soft soil and built up areas. The sealing system is a spigot and socket fit which eliminates the need for glands, bolts and on site welding.

### **A Semi Rigid Material**

REXUS Ductile iron Pipe is less reliant upon pipe embedment for support because of the strength and stiffness as it is a semi rigid material. This reduces the need for imported bed and surround, rendering the laying of pipe more economical in comparison to flexible pipe materials. Semi rigid pipe is also highly resistant to vacuum conditions.

### **High Tensile Strength and Impact Resistance**

REXUS Ductile Iron Pipe exhibits tremendous impact resistance. This makes it much less vulnerable to damage from improper handling or abnormal service conditions. It has proven its integrity in heavy traffic conditions with unstable soil environments where other materials might fail due to the stresses caused by unusual loading.

REXUS Ductile Iron Pipe has high tensile strength, a high modulus of elasticity, elongation factor and yield strength. These factors give the pipe the ability to withstand severe stresses caused shifting ground, heavy loads, water pressure and water hammer.

### **Lowest Possible Life Cycle Costing**

REXUS Ductile Iron Pipe's low installation cost, maintenance free operation, high flow capacities, resistance to cathodic corrosion and a relatively low initial purchasing price provides the lowest Cost of Ownership in comparison to any alternative pipe.

## Standard Coating

REXUS Ductile Iron Pipe is supplied as standard with a metallic Zinc coating of 200g m<sup>2</sup> and a finishing layer of Bituminous paint to 100 microns in accordance to BS EN 545 and ISO 8179 specifications. The finishing layer for Sewerage application is an Epoxy rich paint in accordance to EN 598 and ISO 8179 specifications.

The Zinc coating with time, transforms into a dense impermeable protective barrier that has the ability to restore the continuity of the protective layer through the migration of Zinc ions in areas where local damage may exist. The bitumen coating provides protection against cathodic corrosion and a suitable environment for the Zinc coating to transform into an impermeable coating.

## Special Coatings

REXUS Ductile Iron pipes and fittings supplied with the standard coating as outlined above can be buried in contact with the majority of soils. However should special soils and/or conditions such as soils with a low resistivity of less than 1500 ohms or soils with a low pH or, soils contaminated by certain wastes, organic or industrial effluent exist then, special coatings should be considered.

REXUS Ductile Iron Pipe and Fittings can be supplied with the following external coatings:

- Polyethylene Sleeve to ISO 8180 specifications
- Polyethylene Coating to EN 14628 specifications
- Polyurethane Coating to EN 15189 specifications
- Epoxy Coating to EN 14901 specifications

## Linings

REXUS Ductile Iron Pipes are lined internally as standard with cement mortar which is centrifugally applied in accordance to ISO 4179: 1985 and BS EN 545: 2006/2010. Centrifugally applied mortar provides a high level of mortar compactness ensures good adherence to the metal and provides a smooth surface which reduces flow resistance.

As a corrosion protection, cement mortar lining is an added advantage to ductile iron pipes. The lining provides a physical as well as chemical barrier to corrosion of the iron wall. It eliminates red, rusty water and tuberculation.

High Alumina cement lining in accordance to EN 598 is available for aggressive sewer applications and can handle fluid PH levels of 4 to 12. However, REXUS prefers the use of an Epoxy seal coating in conformance to BS 6920 over the standard mortar lining for both soft waters and sewer pipes with high sulphides.

Fittings are also supplied with an internal cement mortar lining. in accordance to BS EN 545 : 2006/2010 and ISO 2531 : 2009.

Ductile Iron pipe and Fittings can be supplied with the following liners:

- Polyethylene Lining to EN 14628 specifications
- Epoxy Lining to EN 14901 specifications
- Ceramic Epoxy Lining



ReXus KII Pipe with Epoxy Externally and Mortar Lining Internally



ReXus KII Pipe with Zinc and Bitumen Coating Externally and Epoxy Lining Internally

## Mechanical Properties

Pipes		Fittings
Tensile	420 N / mm <sup>2</sup> (MPa) min.	
Elongation	DN ≤ 1000	10% Min.
	DN ≥ 1100	7% Min.
Hardness	HB 230 max.	
		420 N / mm <sup>2</sup> (MPa) min.
		5% Min.
		HB 250 max.

## Angular Deflection of Spigot and Socket Joint

DN (Nominal size) mm	Allowable Angular Deflection when Laying Pipe
80 to 150	5°
200 to 300	4°
350 to 600	3°
700 to 800	2°
900 to 2000	1.5°

Ductile Iron Pipe socket and spigot joints permits angular deflection thereby accommodation of ground movement. In addition it allows for adjustment during installation as well as reducing the number of bends required.

## Allowable Pressure for Ductile Iron Pipes with Push on Joints

DN mm	Class K8			Class K9			C Class		
	PFA	PMA	PEA	PFA	PMA	PEA	PFA	PMA	PEA
80				64	77	96	40	48	53
100				64	77	96	40	48	53
150	50	60	65	64	77	96	40	48	53
200	50	60	65	62	74	96	40	48	53
250	41	49	54	54	65	79	40	48	53
300	36	43	48	49	59	70	40	48	53
350	32	38	43	45	54	64	40	48	53
400	30	36	41	42	51	59	30	36	41
450	29	35	40	40	48	56	30	36	41
500	28	34	39	38	46	53	30	36	41
600	26	31	36	36	43	51	30	36	41
700	24	29	34	34	41	48	25	30	35
800	23	28	33	32	38	43	25	30	35
900	23	28	33	31	37	43	25	30	35
1000	22	26	31	30	36	41	25	30	35
1200	21	25	30	28	34	39	20	24	27
1400				28	33	38	20	24	27
1500				27	32	37	20	24	27
1600				27	32	37	20	24	27
1800				26	31	36	20	24	27
2000				26	31	36	20	24	27

**PFA (Allowable Operating Pressure):** Internal pressure, excluding surge pressure, that a component can withstand in permanent service.

**PMA (Allowable Maximum Operating Pressure):** Maximum internal pressure, including a surge, that a component can safely withstand in service.

**PEA (Allowable Test Pressure):** Maximum hydrostatic site test pressure that a newly installed component can withstand for a relatively short duration, when either fixed above ground level or laid backfilled underground, in order to measure the integrity and leak tightness of the pipe.

## REXUS KII Standard Joint

The standard spigot and socket push-on flexible joint is used extensively throughout the world on various pipe designs, and is an extremely reliable joint. Radial compression of the elastomer seal achieves sealing in the REXUS KII Ductile Iron Pipe design. An increase of pressure enhances the sealing due to the specific shape of the seal housing design and the elastomer seal .

No bolt tightening is necessary apart from normal anchoring precautions on bends and tees, and even in wet conditions, the simple push on connection allows for rapid, low cost pipe laying. The flexibility of the joint also allows for long radius bending without the need for additional fittings.

Expansion and contraction is generously accommodated for. In poor and unstable ground conditions, joint flexibility also provides an element of safety.

The ductile iron pipe sealing system is also resistant to low negative pressures, and accordingly sealing integrity is maintained regardless of the operating conditions. As standard, REXUS KII Ductile Iron Pipe is supplied with elastomer seals (SBR / EPDM conforming to EN 681- 1996 / ISO 4633: 1996 / BS 2494 / 1990. The elastomer seal and lubricant is suitable for use with potable water as per BS 6920: 1996

## REXUS KII Restraint Joint

For socket spigot pipelines, anchorage has traditionally been provided by concrete thrust blocks. In areas where space is limited, such as where the underground environment is congested, or the surrounding soil is unstable this can prove challenging. Thrust blocks also raise environmental concerns. Because large quantities of concrete must be manufactured and transported and similar quantities of spoil correctly disposed of, thrust blocks also raises environmental concerns. Pressure testing is also not possible until the concrete is cured.

The REXUS KII Restraint Joint provides a cost effective, eloquent and efficient restraint. Stainless steel teeth are moulded into the rubber, and, under pressure, the teeth grip the pipe spigot. This prevents joint separation whilst maintaining flexibility. However, REXUS KII Restraint Joint gaskets must only be used once. If a new joint made joint after dismantling, a new gasket will be required.

REXUS KII Restraint Joint gaskets are accredited to BS EN 545 and BS EN 598 specifications. It is available in sizes DN80 to DN600 and for pressure ratings of up to PN25. Joint deflection of up to 5° is achievable.

## REXUS KII Mechanical Restrained Joint

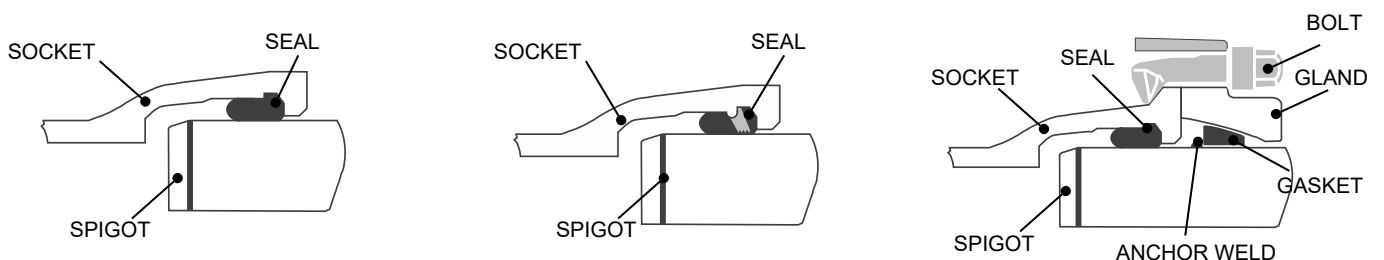
An additional Restrained Joint solution specifically suited for high pressure and large diameter applications is also available. The restraining mechanism is incorporated in the normal flexible spigot and socket, offering the same degree of deflection as that of the REXUS KII Standard Jointing.

The REXUS KII Mechanical Restrained Joint is an external anchoring system. It is available for both water and sewer systems from DN80 to DN1200. It is capable of retaining working pressures up to PN64. The addition of a weld bead to the spigot, a locking ring, bolted gland and hook bolts using the collar on the socket, provides anchorage.

## Flanged Joints

Flanged Pipe and Fittings are in accordance to ISO 2531/ EN 545 / EN 598 / EN 969 and dimensionally in conformance to SANS 1123 or BS 4504 - PN10, PN16, PN25 and PN40 as standard. Other flange alignments are available on request.

Pipes and Fittings are supplied as standard with PN16 flanges. PN10, PN25 and PN40 flanges are available upon request.

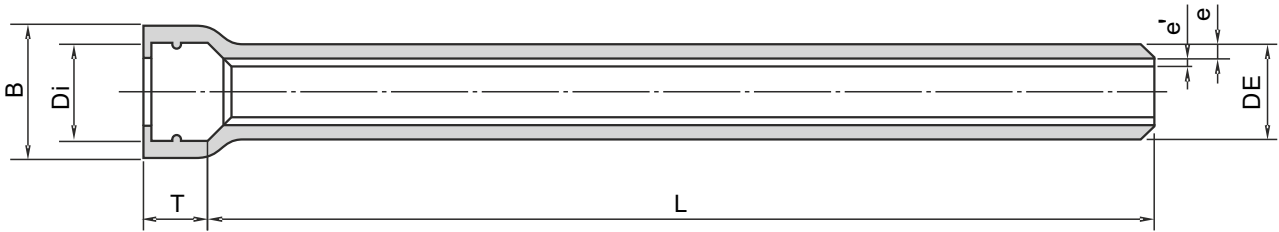


Standard Joint

Restraint Joint

Mechanical Restrained Joint

## Tyton "T" Type Socket & Spigot Pipe (BS/EN 545: 2010) 2010)

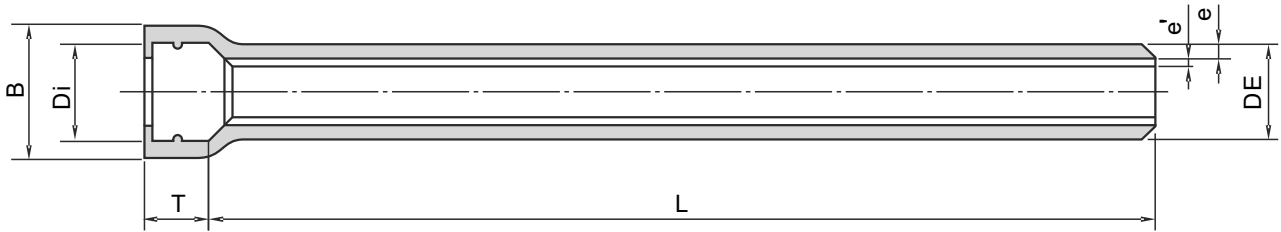


Unit: mm

Nominal Size DN	De	Di	B	e'	L in mm	T	Dimension e for Pipe Class						Average Weight kg/m	
							Class 20	Class 25	Class 30	Class 40	Class 50	Class 64		Class 100
80	98	101	168	3	6000	84				4.4	4.4	4.4	4.8	12
100	118	121	189	3	6000	88				4.4	4.4	4.4	5.5	17
150	170	173	243	3	6000	94				4.5	4.5	5.3	7.4	32
200	222	225	296	3	6000	100				4.7	5.4	6.5	9.2	54
250	274	277	353	3	6000	105				5.5	6.4	7.8	11.1	79
300	326	329	410	3	6000	110			5.1	6.2	7.4	8.9	12.9	110
350	378	381	465	5	6000	110		5.1	6.3		8.4	10.2	14.8	157
400	429	432	517	5	6000	110		5.5	6.5		9.3	11.3	16.5	197
450	480	483	575	5	6000	120		6.1	6.9		10.3	12.6	18.4	246
500	532	533.5	630	5	6000	120		6.5	7.5		11.2	13.7	20.2	297
600	635	638	739	5	6000	120		7.6	8.7		13.1	16.1	23.8	414
700	738	741	863	6	6000	150	7.3	8.8	9.9		15.0	18.5	27.5	566
800	842	845	974	6	6000	160	8.1	9.6	11.1		16.9	21.0		489
900	945	948	1082	6	6000	175	8.9	10.6	12.3		18.8	23.4		608
1000	1048	1051	1191	6	6000	185	9.8	11.6	13.4		20.7			592
1200	1255	1258	1412	6	6000	215	11.4	13.6	15.8		22.7			689
1400	1462	1465	1592	6	6000	239	13.1	15.7	18.2					739
1500	1565	1568	1710	9	6000	265	13.9	16.7	19.4					839
1600	1671	1671	1816	9	6000	265	14.8	17.7	20.6					979
1800	1878	1878	2032	9	6000	275	16.4	19.7	23.0					1175
2000	2082	2085	2253	9	6000	290	18.1	21.8	25.4					1424.7



## Tyton "T" Type Socket & Spigot Pipe Class K8 and K9



Unit: mm

Nominal Size DN	De	Di	B	e'	L in mm	Class K8				Class K9			
						T	e	PFA	Weight kg/m	T	e	PFA	Weight kg/m
80	98	101	168	3	6000					84	6	64	15
100	118	121	189	3	6000					88	6.1	64	18.5
150	170	173	243	3	6000	94	6	50	26	94	6.3	64	27.5
200	222	225	296	3	6000	100	6	50	35	100	6.4	62	37
250	274	277	353	3	6000	105	6	41	43	105	6.8	54	48
300	326	329	410	3	6000	110	6.4	36	55	110	7.2	49	61
350	378	381	465	5	6000	110	6.8	32	72	110	7.7	45	80.8
400	429	432	517	5	6000	110	7.2	30	86	110	8.1	42	95.5
450	480	483	575	5	6000	120	7.6	29	102	120	8.6	40	113
500	532	533.5	630	5	6000	120	8	28	11	120	9	38	131
600	635	638	739	5	6000	120	8.8	26	7.5	120	9.9	36	170
700	738	741	863	6	6000	150	9.6	24	153	150	10.8	34	218
800	842	845	974	6	6000	160	10.4	23	19	160	11.7	32	267
900	945	948	1082	6	6000	175	11.2	23	7.5	175	12.6	31	320
1000	1048	1051	1191	6	6000	185	12	22	291	185	13.5	30	378
1200	1255	1258	1412	6	6000	215	13.6	21	343.5	215	15.3	28	506
1400	1462	1465	1592	6	6000	239				239	17.1	28	694
1500	1565	1568	1710	9	6000	265				265	18	27	779
1600	1671	1671	1816	9	6000	265				265	18.9	27	898
1800	1878	1878	2032	9	6000	275				275	20.7	26	1058
2000	2082	2085	2253	9	6000	290				290	22.5	26	1252

Rexus Ductile Iron Pipe can be supplied with a wide selection of Fittings to suit most applications.

## Pressure Ratings

Fittings without branches conform to Class K12. Ductile Iron fittings with branches conform to Class K14. Pressure ratings for Ductile Iron Socket joint fittings (PFA, PMA and PEA) are equal to that of Class K9 pipes.

## Coatings and Linings

Fittings are supplied as standard with a internal cement mortar lining and externally with a Bitumen coating. In accordance to EN 545: 2006 and 2010 and ISO 2531: 2009 specifications. Alternatively fittings can be supplied fusion bonded epoxy coated internally and externally in accordance to EN 14901:2006, Fusion bonded fittings eliminates microbial corrosion and is suitable for potable water.

## Ease of Installation

The REXUS KII socket profile and sealing system makes installation and dismantling quick and easy.

## Ability to Deflect

REXUS KII Ductile Iron fittings can accommodate up to 5° angular deflection (depending on size). The flexibility allows for adjustment of the route during laying and can also accommodate for ground movement.

## Fabricated Steel Fittings

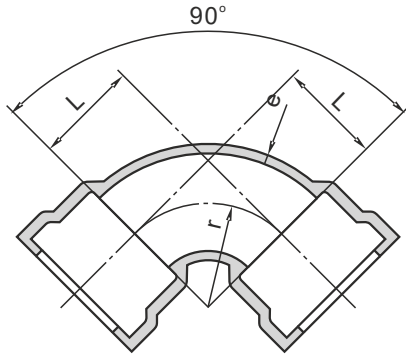
REXUS supplies Fabricated Fittings with ½ Couplings in a socketed arrangement which provides for deflection of up to 5°. All Fittings are fusion bonded epoxy coated to 300 microns as standard

The benefits of utilising REXUS Fabricated Fittings with Ductile Iron Pipe are as follows:

- **Flexibility in design** - REXUS' Fittings manufacturing capability is not limited by size, configuration or pressure rating. The company can therefore provide any type of Fittings suitable for use with Ductile Iron pipe. This allows the engineer a wide variety of design options.
- **Lead times and cost** - REXUS' lead times for most Fabricated Fittings are much shorter than those for cast Ductile Iron Fittings. In addition, Fabricated Fittings in larger diameters are more cost effective than cast Ductile Iron fittings. These two factors provides the client a savings in time and cost.
- **“Packaged” deals** - REXUS in addition to manufacturing Fabricated Steel Fittings, is also the manufacturer and supplier of a wide range of Valves and Couplings. This allows the company to provide a contractor or end user with the most comprehensive technical, financial and logistical solution on a Ductile Iron pipeline project.



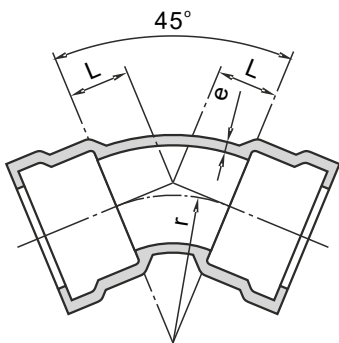
## Double Socket 90° Bend



Unit mm

Nominal Size DN	e	L	r approx.
80	7.0	100	80
100	7.2	120	95
150	7.8	170	145
200	8.4	220	195
250	9.0	270	245
300	9.6	320	290
350	10.2	370	340
400	10.8	420	390
450	11.4	470	435
500	12.0	520	485
600	13.2	620	580
700	14.4	720	655
800	15.6	820	745
900	16.8	920	855
1000	18.0	1020	945
1100	19.2	1120	1065
1200	20.4	1220	1155

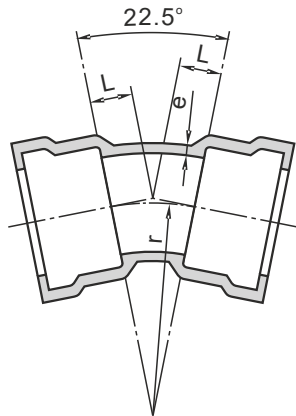
## Double Socket 45° Bend



Unit mm

Nominal Size DN	e	L	r approx.
80	7.0	55	80
100	7.2	65	100
150	7.8	85	145
200	8.4	110	200
250	9.0	130	245
300	9.6	150	305
350	10.2	175	350
400	10.8	195	405
450	11.4	220	450
500	12.0	240	495
600	13.2	285	595
700	14.4	330	655
800	15.6	370	745
900	16.8	415	855
1000	18.0	460	945
1100	19.2	505	1065
1200	20.4	550	1155
1400	22.8	515	1015
1600	25.2	565	1115

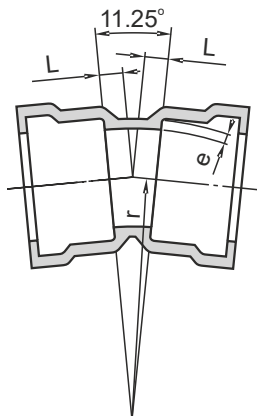
## Double Socket 22° 30' Bend



Unit mm

Nominal Size DN	e	L	r approx.
80	7.0	40	90
100	7.2	40	110
150	7.8	55	155
200	8.4	65	195
250	9.0	75	240
300	9.6	85	305
350	10.2	95	350
400	10.8	110	390
450	11.4	120	435
500	12.0	130	505
600	13.2	150	590
700	14.4	175	655
800	15.6	195	745
900	16.8	220	855
1000	18.0	240	945
1100	19.2	260	1065
1200	20.4	285	1155
1400	22.8	260	1015
1600	25.2	280	1115

## Double Socket 11° 15' Bend

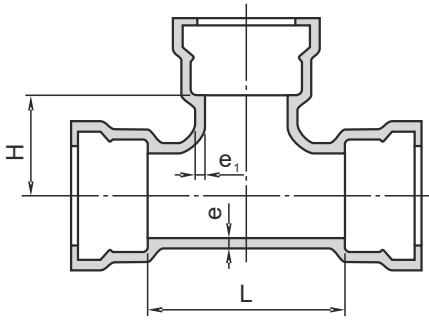


Unit mm

Nominal Size DN	e	L	r approx.
80	7.0	30	75
100	7.2	30	120
150	7.8	35	155
200	8.4	40	195
250	9.0	50	230
300	9.6	55	315
350	10.2	60	350
400	10.8	65	385
450	11.4	70	420
500	12.0	75	510
600	13.2	85	580
700	14.4	95	510
800	15.6	110	640
900	16.8	120	710
1000	18.0	130	790
1100	19.2	140	865
1200	20.4	150	965
1400	22.8	130	730
1600	25.2	140	830

Unit mm

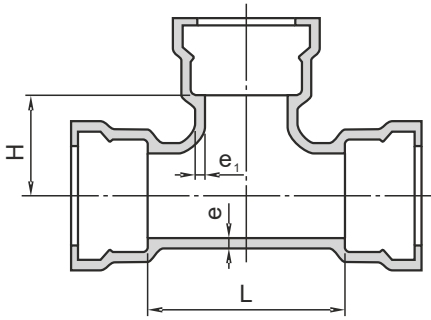
## All Socket Tees



Nominal Size		e	e <sub>1</sub>	L	H
Body DN	Branch DN				
80	80	7.0	7.0	170	85
100	80	7.2	7.0	170	95
	100	7.2	7.2	190	95
150	80	7.8	7.0	170	120
	100	7.8	7.2	195	120
	150	7.8	7.8	255	125
200	80	8.4	7.0	175	145
	100	8.4	7.2	200	145
	150	8.4	7.8	255	150
	200	8.4	8.4	315	155
250	80	9.0	7.0	180	170
	100	9.0	7.2	200	170
	150	9.0	7.8	260	175
	200	9.0	8.4	315	180
	250	9.0	9.0	375	190
300	80	9.6	7.0	180	195
	100	9.6	7.2	205	195
	150	9.6	7.8	260	200
	200	9.6	8.4	320	205
	250	9.6	9.0	375	210
	300	9.6	9.6	435	220
350	80	10.2	7.0	185	220
	100	10.2	7.2	205	220
	150	10.2	7.8	265	225
	200	10.2	8.4	325	230
	250	10.2	9.0	380	235
	300	10.2	9.6	440	240
	350	10.2	10.2	495	250
400	80	10.8	7.0	185	245
	100	10.8	7.2	210	245
	150	10.8	7.8	270	250
	200	10.8	8.4	325	255
	250	10.8	9.0	385	365
	300	10.8	9.6	440	270
	350	10.8	10.2	500	275
	400	10.8	10.8	560	280
450	80	11.4	7.0	190	270
	100	11.4	7.2	215	270
	150	11.4	7.8	270	275
	200	11.4	8.4	330	280
	250	11.4	9.0	385	290
	300	11.4	9.6	445	295
	350	11.4	10.2	505	300
	400	11.4	10.8	560	305
	450	11.4	11.4	620	310
500	80	12.0	7.0	195	295
	100	12.0	7.2	215	295
	150	12.0	7.8	275	300
	200	12.0	8.4	330	305
	250	12.0	9.0	390	315
	300	12.0	9.6	450	320
	350	12.0	10.2	505	325
	400	12.0	10.8	565	330
	450	12.0	11.4	620	335
	500	12.0	12.0	680	340

Unit mm

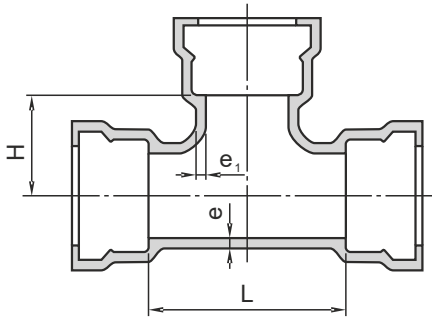
## All Socket Tees



Nominal Size		e	e <sub>1</sub>	L	H		
Body DN	Branch DN						
600	80	13.2	7.0	200	345		
		13.2	7.2	220	345		
		13.2	7.8	280	350		
		13.2	8.4	340	355		
		13.2	9.0	395	365		
		13.2	9.6	455	370		
		13.2	10.2	510	375		
		13.2	10.8	570	380		
		13.2	11.4	630	385		
		13.2	12.0	685	390		
		13.2	13.2	800	400		
		700		14.4	7.8	285	400
				14.4	8.4	345	405
14.4	9.0			400	415		
14.4	9.6			460	420		
14.4	10.2			520	425		
14.4	10.8			575	430		
14.4	11.4			635	435		
14.4	12.0			690	440		
14.4	13.2			810	450		
14.4	14.4			925	460		
800		15.6	7.8	290	450		
		15.6	8.4	350	455		
		15.6	9.0	410	465		
		15.6	9.6	465	470		
		15.6	10.2	525	475		
		15.6	10.8	580	480		
		15.6	11.4	640	485		
		15.6	12.0	700	490		
		15.6	13.2	815	500		
		15.6	14.4	930	510		
		15.6	15.6	1045	525		
		900		16.8	7.8	300	500
16.8	8.4			355	505		
16.8	9.0			415	515		
16.8	9.6			470	520		
16.8	10.2			530	525		
16.8	10.8			590	530		
16.8	11.4			645	535		
16.8	12.0			705	540		
16.8	13.2			820	550		
16.8	14.4			935	560		
16.8	15.6			1050	575		
16.8	16.8			1170	585		

Unit mm

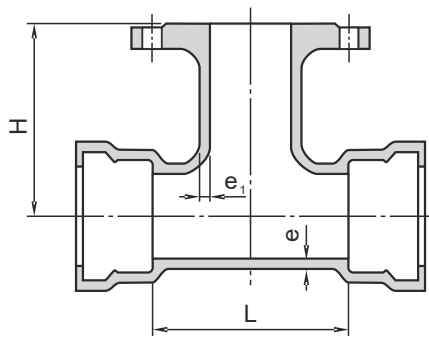
## All Socket Tees



Nominal Size		e	e <sub>1</sub>	L	H
Body DN	Branch DN				
1000	150	18.0	7.8	305	550
	200	18.0	8.4	360	555
	250	18.0	9.0	420	565
	300	18.0	9.6	480	570
	350	18.0	10.2	535	575
	400	18.0	10.8	595	580
	450	18.0	11.4	650	585
	500	18.0	12.0	710	590
	600	18.0	13.2	825	600
	700	18.0	14.4	940	610
	800	18.0	15.6	1060	625
	900	18.0	16.8	1175	635
	1000	18.0	18.0	1290	645
1100	150	19.2	7.8	310	600
	200	19.2	8.4	370	605
	250	19.2	9.0	425	615
	300	19.2	9.6	485	620
	350	19.2	10.2	540	625
	400	19.2	10.8	600	630
	450	19.2	11.4	660	635
	500	19.2	12.0	715	640
	600	19.2	13.2	830	650
	700	19.2	14.4	950	660
	800	19.2	15.6	1065	675
	900	19.2	16.8	1180	685
1000	19.2	18.0	1295	695	
1100	19.2	19.2	1410	705	
1200	150	20.4	7.8	315	650
	200	20.4	8.4	375	655
	250	20.4	9.0	430	665
	300	20.4	9.6	490	670
	350	20.4	10.2	550	675
	400	20.4	10.8	605	680
	450	20.4	11.4	665	685
	500	20.4	12.0	720	690
	600	20.4	13.2	840	700
	700	20.4	14.4	955	710
	800	20.4	15.6	1070	725
	900	20.4	16.8	1185	735
	1000	20.4	18.0	1300	745
1100	20.4	19.2	1420	750	
1200	20.4	20.4	1535	765	

Unit mm

## Double Socket Tees with Flanged Branch

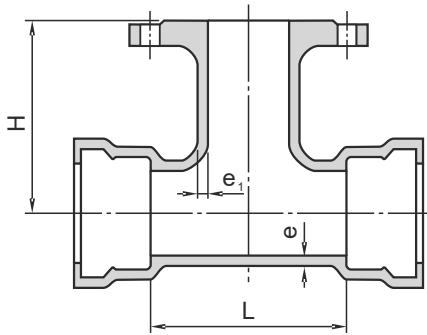


Nominal size		e	e <sub>1</sub>	L	H
Body DN	Branch DN				
80	80	7.0	7.0	170	165
	100	7.2	7.0	170	175
150	100	7.2	7.2	190	180
	80	7.8	7.0	170	205
	150	7.8	7.2	195	210
200	150	7.8	7.8	255	220
	80	8.4	7.0	175	235
	100	8.4	7.2	200	240
	150	8.4	7.8	255	250
250	200	8.4	8.4	315	260
	80	9.0	7.0	180	265
	100	9.0	7.2	200	270
	150	9.0	7.8	260	280
	200	9.0	8.4	315	290
300	250	9.0	9.0	375	300
	80	9.6	7.0	180	295
	100	9.6	7.2	205	300
	150	9.6	7.8	260	310
	200	9.6	8.4	320	320
	250	9.6	9.0	380	330
350	300	9.6	9.6	435	340
	80	10.2	7.0	185	325
	100	10.2	7.2	205	330
	150	10.2	7.8	270	340
	200	10.2	8.4	325	350
	250	10.2	9.0	385	360
	300	10.2	9.6	440	370
400	350	10.2	10.2	495	380
	80	10.8	7.0	185	355
	100	10.8	7.2	210	360
	150	10.8	7.8	270	370
	200	10.8	8.4	325	380
	250	10.8	9.0	385	390
	300	10.8	9.6	440	400
	350	10.8	10.2	500	410
450	400	10.8	10.8	560	420
	80	11.4	7.0	190	385
	100	11.4	7.2	215	390
	150	11.4	7.8	270	400
	200	11.4	8.4	330	410
	250	11.4	9.0	390	420
	300	11.4	9.6	445	430
	350	11.4	10.2	505	440
	400	11.4	10.8	560	450
500	450	11.4	11.4	620	460
	80	12.0	7.0	195	415
	100	12.0	7.2	215	420
	150	12.0	7.8	275	430
	200	12.0	8.4	330	440
	250	12.0	9.0	390	450
	300	12.0	9.6	450	460
	350	12.0	10.2	505	470
	400	12.0	10.8	565	480
	450	12.0	11.4	620	490
500	12.0	12.0	680	500	



Unit mm

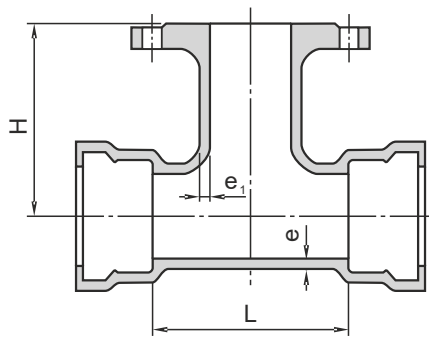
## Double Socket Tees with Flanged Branch



Nominal Size		e	e <sub>1</sub>	L	H
Body DN	Branch DN				
60	80	13.2	7.0	200	475
	100	13.2	7.2	220	480
	150	13.2	7.8	280	490
	200	13.2	8.4	340	500
	250	13.2	9.0	395	510
	300	13.2	9.6	455	520
	350	13.2	10.2	510	530
	400	13.2	10.8	570	540
	450	13.2	11.4	630	550
	500	13.2	12.0	685	560
	600	13.2	13.2	800	580
700	150	14.4	7.8	285	520
	200	14.4	8.4	345	525
	250	14.4	9.0	400	535
	300	14.4	9.6	460	540
	350	14.4	10.2	520	550
	400	14.4	10.8	575	555
	450	14.4	11.4	635	565
	500	14.4	12.0	690	570
	600	14.4	13.2	810	585
	700	14.4	14.4	925	600
800	150	15.6	7.8	290	580
	200	15.6	8.4	350	585
	250	15.6	9.0	410	595
	300	15.6	9.6	465	600
	350	15.6	10.2	525	610
	400	15.6	10.8	580	615
	450	15.6	11.4	640	625
	500	15.6	12.0	700	630
	600	15.6	13.2	1045	645
	700	15.6	14.4	1045	660
	800	15.6	15.6	1045	675
900	150	16.8	7.8	300	640
	200	16.8	8.4	355	645
	250	16.8	9.0	415	655
	300	16.8	9.6	470	660
	350	16.8	10.2	530	670
	400	16.8	10.8	590	675
	450	16.8	11.4	645	685
	500	16.8	12.0	705	690
	600	16.8	13.2	1170	705
	700	16.8	14.4	1170	720
	800	16.8	15.6	1170	735
900	16.8	16.8	1170	750	

Unit mm

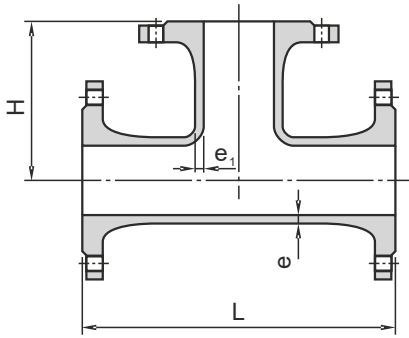
## Double Socket Tees with Flanged Branch



Nominal size		e	e <sub>1</sub>	L	H
Body DN	Branch DN				
1000	150	18.0	7.8	305	700
	200	18.0	8.4	360	705
	250	18.0	9.0	420	715
	300	18.0	9.6	480	720
	350	18.0	10.2	535	730
	400	18.0	10.8	595	735
	450	18.0	11.4	650	745
	500	18.0	12.0	710	750
	600	18.0	13.2	1290	765
	700	18.0	14.4	1290	780
	800	18.0	15.6	1290	795
	900	18.0	16.8	1290	810
	1000	18.0	18.0	1290	825
1100	150	19.2	7.8	310	760
	200	19.2	8.4	370	765
	250	19.2	9.0	425	775
	300	19.2	9.6	485	780
	350	19.2	10.2	540	790
	400	19.2	10.8	600	795
	450	19.2	11.4	660	805
	500	19.2	12.0	715	810
	600	19.2	13.2	830	825
	700	19.2	14.4	950	840
	800	19.2	15.6	1065	855
	900	19.2	16.8	1180	870
1000	19.2	18.0	1295	885	
1100	19.2	19.2	1410	900	
1200	150	20.4	7.8	315	820
	200	20.4	8.4	375	825
	250	20.4	9.0	430	835
	300	20.4	9.6	490	840
	350	20.4	10.2	550	850
	400	20.4	10.8	605	855
	450	20.4	11.4	665	865
	500	20.4	12.0	720	870
	600	20.4	13.2	840	885
	700	20.4	14.4	955	900
	800	20.4	15.6	1070	915
	900	20.4	16.8	1185	930
	1000	20.4	18.0	1300	945
	1100	20.4	19.2	1420	960
1200	20.4	20.4	1535	975	

Unit mm

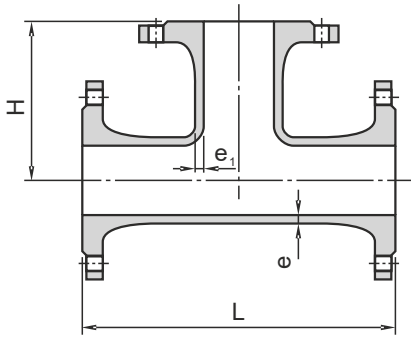
## All Flanged Tee



Nominal size		e	e <sub>1</sub>	L	H
Body DN	Branch DN				
80	80	7.0	7.0	330	165
100	80	7.2	7.0	360	175
	100	7.2	7.2	360	180
150	80	7.8	7.0	440	205
	100	7.8	7.2	440	210
	150	7.8	7.8	440	220
200	80	8.4	7.0	520	235
	100	8.4	7.2	520	240
	150	8.4	7.8	520	250
	200	8.4	8.4	520	260
250	80	9.0	7.0	700	265
	100	9.0	7.2	700	275
	150	9.0	7.8	700	300
	200	9.0	8.4	700	325
	250	9.0	9.0	700	350
300	80	9.6	7.0	800	290
	100	9.6	7.2	800	300
	150	9.6	7.8	800	325
	200	9.6	8.4	800	350
	250	9.6	9.0	800	375
	300	9.6	9.6	800	400
350	80		7.0	850	325
	100		7.2	850	325
	150		7.8	850	325
	200		8.4	850	325
	250		9.0	850	325
	300		9.6	850	425
	350			850	425
400	80			900	350
	100			900	350
	150			900	350
	200			900	350
	250			900	350
	300			900	450
	350			900	450
	400			900	450
450	80			950	375
	100			950	375
	150			950	375
	200			950	375
	250			950	375
	300			950	475
	350			950	475
	400			950	475
	450			950	475
500	80			1000	400
	100			1000	400
	150			1000	400
	200			1000	400
	250			1000	400
	300			1000	500
	350			1000	500
	400			1000	500
	450			1000	500
	500			1000	500

Unit mm

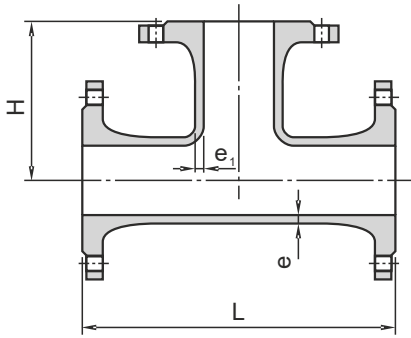
## All Flanged Tee



Nominal Size		e	e <sub>1</sub>	L	H
Body DN	Branch DN				
600	80	13.2	7.0	1100	450
	100	13.2	7.2	1100	450
	150	13.2	7.8	1100	450
	200	13.2	8.4	1100	450
	250	13.2	9.0	1100	450
	300	13.2	9.6	1100	550
	350	13.2	10.2	1100	550
	400	13.2	10.8	1100	550
	450	13.2	11.4	1100	550
	500	13.2	12.0	1100	550
	600	13.2	13.2	1100	550
700	150	14.4	7.8	595	520
	200	14.4	8.4	650	525
	250	14.4	9.0	705	535
	300	14.4	9.6	760	540
	350	14.4	10.2	815	550
	400	14.4	10.8	870	555
	450	14.4	11.4	925	565
	500	14.4	12.0	980	570
	600	14.4	13.2	1200	585
	700	14.4	14.4	1200	600
800	150	15.6	7.8	635	580
	200	15.6	8.4	690	585
	250	15.6	9.0	745	595
	300	15.6	9.6	800	600
	350	15.6	10.2	855	610
	400	15.6	10.8	910	615
	450	15.6	11.4	965	625
	500	15.6	12.0	1020	630
	600	15.6	13.2	1350	645
	700	15.6	14.4	1350	660
	800	15.6	15.6	1350	675
900	150	16.8	7.8	675	640
	200	16.8	8.4	730	645
	250	16.8	9.0	785	655
	300	16.8	9.6	840	660
	350	16.8	10.2	895	670
	400	16.8	10.8	950	675
	450	16.8	11.4	1005	685
	500	16.8	12.0	1060	690
	600	16.8	13.2	1500	705
	700	16.8	14.4	1500	720
	800	16.8	15.6	1500	735
900	16.8	16.8	1500	750	

Unit mm

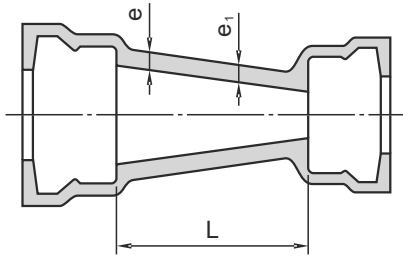
## All Flanged Tee



Nominal Size		e	e <sub>1</sub>	L	H
Body DN	Branch DN				
1000	150	18.0	7.8	715	700
	200	18.0	8.4	770	705
	250	18.0	9.0	825	715
	300	18.0	9.6	880	720
	350	18.0	10.2	935	730
	400	18.0	10.8	990	735
	450	18.0	11.4	1045	745
	500	18.0	12.0	1100	750
	600	18.0	13.2	1650	765
	700	18.0	14.4	1650	780
	800	18.0	15.6	1650	795
	900	18.0	16.8	1650	810
	1000	18.0	18.0	1650	825
1100	150	19.2	7.8	690	760
	200	19.2	8.4	750	765
	250	19.2	9.0	805	775
	300	19.2	9.6	865	780
	350	19.2	10.2	920	790
	400	19.2	10.8	980	795
	450	19.2	11.4	1040	805
	500	19.2	12.0	1095	810
	600	19.2	13.2	1210	825
	700	19.2	14.4	1330	840
	800	19.2	15.6	1445	855
	900	19.2	16.8	1560	870
	1000	19.2	18.0	1675	885
	1100	19.2	19.2	1790	900
1200	150	20.4	7.8	715	820
	200	20.4	8.4	775	825
	250	20.4	9.0	830	835
	300	20.4	9.6	890	840
	350	20.4	10.2	950	850
	400	20.4	10.8	1005	855
	450	20.4	11.4	1065	865
	500	20.4	12.0	1120	870
	600	20.4	13.2	1240	885
	700	20.4	14.4	1355	900
	800	20.4	15.6	1470	915
	900	20.4	16.8	1585	930
	1000	20.4	18.0	1700	945
	1100	20.4	19.2	1820	960
	1200	20.4	20.4	1935	975

Unit mm

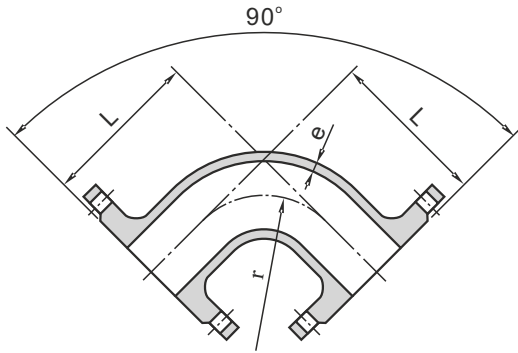
## All Socket Reducer



Nominal Size		e	e <sub>1</sub>	L
Large DN	Small DN			
100	80	7.2	7.0	90
150	80	7.8	7.0	190
	100	7.8	7.2	150
200	100	8.4	7.2	250
	150	8.4	7.8	150
250	150	9.0	7.8	250
	200	9.0	8.4	150
300	150	9.6	7.8	350
	200	9.6	8.4	250
	250	9.6	9.0	150
350	200	10.2	8.4	360
	250	10.2	9.0	260
	300	10.2	9.6	160
400	200	10.8	8.4	460
	250	10.8	9.0	360
	300	10.8	9.6	260
	350	10.8	10.2	160
450	250	11.4	9.0	460
	300	11.4	9.6	360
	350	11.4	10.2	260
	400	11.4	10.8	160
500	250	12.0	9.0	560
	300	12.0	9.6	460
	350	12.0	10.2	360
	400	12.0	10.8	260
	450	12.0	11.4	160
600	300	13.2	9.6	660
	350	13.2	10.2	560
	400	13.2	10.8	460
	450	13.2	11.4	360
	500	13.2	12.0	260
700	350	14.4	10.2	800
	400	14.4	10.8	700
	450	14.4	11.4	600
	500	14.4	12.0	480
	600	14.4	13.2	280
800	400	15.6	10.8	870
	450	15.6	11.4	770
	500	15.6	12.0	670
	600	15.6	13.2	480
	700	15.6	14.4	280
900	450	16.8	11.4	940
	500	16.8	12.0	840
	600	16.8	13.2	640
	700	16.8	14.4	480
	800	16.8	15.6	280
1000	500	18.0	12.0	1040
	600	18.0	13.2	840
	700	18.0	14.4	680
	800	18.0	15.6	480
	900	18.0	16.8	280
1100	600	19.2	13.2	1020
	700	19.2	14.4	870
	800	19.2	15.6	670
	900	19.2	16.8	480
	1000	19.2	18.0	280
1200	600	20.4	13.2	1220
	700	20.4	14.4	1020
	800	20.4	15.6	870
	900	20.4	16.8	670
	1000	20.4	18.0	480
	1100	20.4	19.2	300
1400	1000	22.8	18.0	560
	1100	22.8	19.2	460
	1200	22.8	20.4	360
1600	1000	25.2	18.0	760
	1100	25.2	19.2	660
	1200	25.2	20.4	560
	1400	25.2	22.8	360

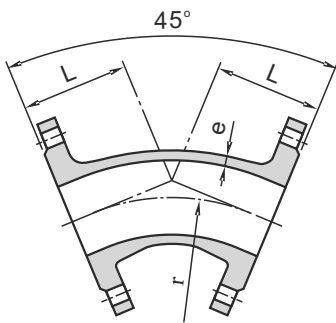
Unit mm

## Double Flanged 90° Bend



Nominal Size DN	e	L	r approx.
80	7.0	165	115
100	7.2	180	120
150	7.8	220	155
200	8.4	260	190
250	9.0	350	275
300	9.6	400	315
350	10.2	450	360
400	10.8	500	405
450	11.4	550	450
500	12.0	600	490
600	13.2	700	580
700	14.4	800	685
800	15.6	900	785
900	16.8	1000	875
1000	18.0	1100	965
1100	19.2	1200	1055
1200	20.4	1300	1145

## Double Flanged 45° Bend

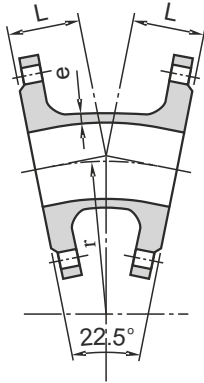


Unit mm

Nominal Size DN	e	L	r approx.
80	7.0	130	190
100	7.2	140	200
150	7.8	160	230
200	8.4	180	265
250	9.0	350	660
300	9.6	400	765
350	10.2	300	505
400	10.8	325	550
450	11.4	350	595
500	12.0	375	645
600	13.2	425	735
700	14.4	480	875
800	15.6	530	1000
900	16.8	580	1100
1000	18.0	630	1200
1100	19.2	695	1300
1200	20.4	750	1400
1400	22.8	775	1595
1600	25.2	845	1800

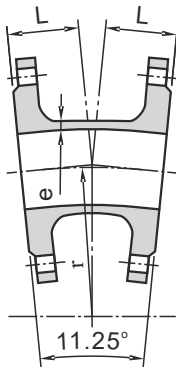
Unit mm

## Double Flanged 22.5° Bend



Nominal Size DN	e	L	r approx.
80	7.0	130	395
100	7.2	140	410
150	7.8	160	480
200	8.4	180	555
250	9.0	350	1370
300	9.6	400	1595
350	10.2	298	1050
400	10.8	324	1145
450	11.4	349	1240
500	12.0	375	1340
600	13.2	426	1535
700	14.4	478	1825
800	15.6	529	2080
900	16.8	581	2295
1000	18.0	632	2500
1100	19.2	600	2290
1200	20.4	652	2500
1400	22.8	835	3320
1600	25.2	940	3745

## Double Flanged 11.25° Bend



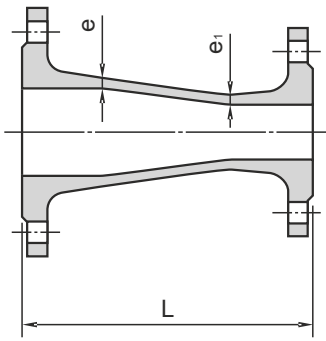
Unit mm

Nominal Size DN	e	L	r approx.
80	7.0	130	800
100	7.2	140	830
150	7.8	160	975
200	8.4	180	1115
250	9.0	350	2770
300	9.6	400	3220
350	10.2	298	2120
400	10.8	324	2315
450	11.4	349	2505
500	12.0	375	2710
600	13.2	426	3095
700	14.4	478	3685
800	15.6	529	4200
900	16.8	581	4625
1000	18.0	632	5045
1100	19.2	683	5460
1200	20.4	735	5890
1400	22.8	835	6700
1600	25.2	940	7565

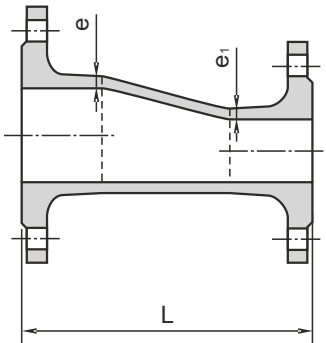


Unit mm

## Double Flanged Reducer



• Concentric Reducer

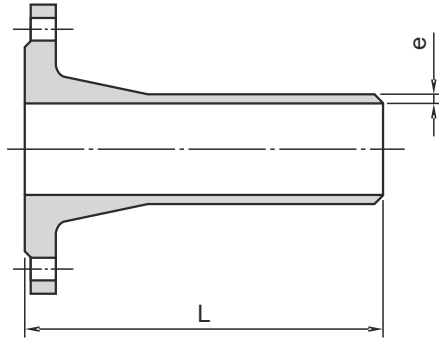


• Eccentric Reducer

Nominal Size		e	e <sub>1</sub>	L
Large DN	Small DN			
100	80	7.2	7.0	200
150	80	7.8	7.0	400
	100	7.8	7.2	300
200	100	8.4	7.2	600
	150	8.4	7.8	300
250	150	9.0	7.8	600
	200	9.0	8.4	300
300	150	9.6	7.8	600
	200	9.6	8.4	600
	250	9.6	9.0	300
350	200	10.2	8.4	600
	250	10.2	9.0	600
	300	10.2	9.6	300
400	200	10.8	8.4	600
	300	10.8	9.6	600
	350	10.8	10.2	300
450	250	11.4	9.0	600
	300	11.4	9.6	600
	350	11.4	10.2	600
	400	11.4	10.8	300
500	250	12.0	9.0	700
	300	12.0	9.6	600
	350	12.0	10.2	600
	400	12.0	10.8	600
	450	12.0	11.4	300
600	300	13.2	9.6	800
	350	13.2	10.2	700
	400	13.2	10.8	600
	450	13.2	11.4	600
	500	13.2	12.0	600
700	350	14.4	10.2	900
	400	14.4	10.8	800
	450	14.4	11.4	700
	500	14.4	12.0	600
	600	14.4	13.2	600
800	400	15.6	10.8	1000
	450	15.6	11.4	900
	500	15.6	12.0	800
	600	15.6	13.2	600
	700	15.6	14.4	600
900	450	16.8	11.4	1100
	500	16.8	12.0	1000
	600	16.8	13.2	800
	700	16.8	14.4	600
	800	16.8	15.6	600
1000	500	18.0	12.0	1200
	600	18.0	13.2	1000
	700	18.0	14.4	800
	800	18.0	15.6	600
	900	18.0	16.8	600
1100	600	19.2	13.2	1230
	700	19.2	14.4	1050
	800	19.2	15.6	860
	900	19.2	16.8	800
	1000	19.2	18.0	600
1200	600	20.4	13.2	1450
	700	20.4	14.4	1260
	800	20.4	15.6	1070
	900	20.4	16.8	880
	1000	20.4	18.0	790
1400	1000	22.8	18.0	1500
	1100	22.8	19.2	1250
	1200	22.8	20.4	850
1600	1000	25.2	18.0	2000
	1100	25.2	19.2	1750
	1200	25.2	20.4	1500
	1400	25.2	22.8	910

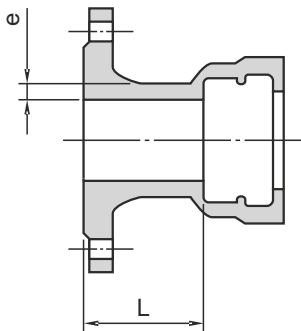
Unit mm

### Flanged Spigot



Nominal Size DN	e	L
80	7.0	350
100	7.2	360
150	7.8	380
200	8.4	400
250	9.0	420
300	9.6	440
350	10.2	460
400	10.8	480
450	11.4	500
500	12.0	520
600	13.2	560
700	14.4	600
800	15.6	600
900	16.8	600
1000	18.0	600
1100	19.2	600
1200	20.4	600
1400	22.8	710
1600	25.2	780

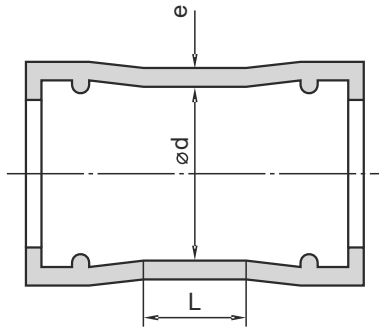
### Flanged Socket



Unit mm

Nominal size DN	e	L
80	7.0	130
100	7.2	130
150	7.8	135
200	8.4	140
250	9.0	145
300	9.6	150
350	10.2	155
400	10.8	160
450	11.4	165
500	12.0	170
600	13.2	180
700	14.4	190
800	15.6	200
900	16.8	210
1000	18.0	220
1100	19.2	230
1200	20.4	240
1400	22.8	310
1600	25.2	330

## Collar



Unit mm

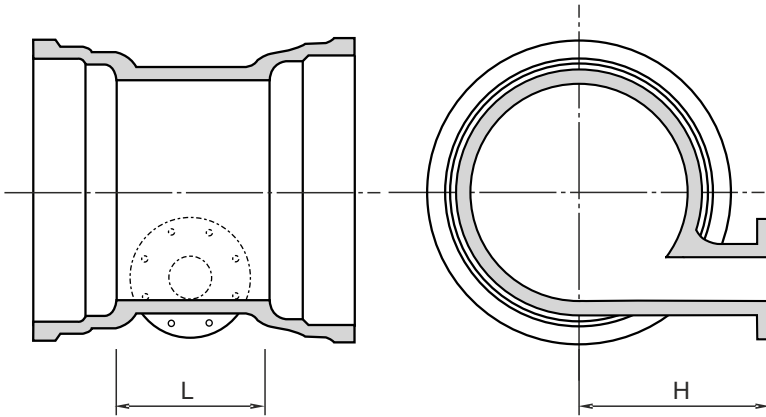
Nominal Size DN	e	d	L
80	7.0	109	160
100	7.2	130	160
150	7.8	183	165
200	8.4	235	170
250	9.0	288	175
300	9.6	340	180
350	10.2	393	185
400	10.8	445	190
500	12.0	550	200
600	13.2	655	210
700	14.4	760	220
800	15.6	865	230
900	16.8	970	240
1000	18.0	1075	250
1200	20.4	1285	270
1400	22.8	1477	340
1600	25.2	1683	360
1800	27.6	1889	380
2000	30.0	2095	400

Unit mm

Nominal Size DN	e	d	L
200	80	245	250
250	80	250	275
300	80	255	300
350	100	280	325
400	100	280	350
450	100	285	375
500	100	290	400
600	100	295	450
700	150	360	500
800	150	365	550
900	150	370	600
1000	200	435	650
1100	200	440	700
1200	200	445	750
1400	200	460	850
1500	200	465	900
1600	400	700	950
1800	400	715	1050
2000	400	725	1150

Unit mm

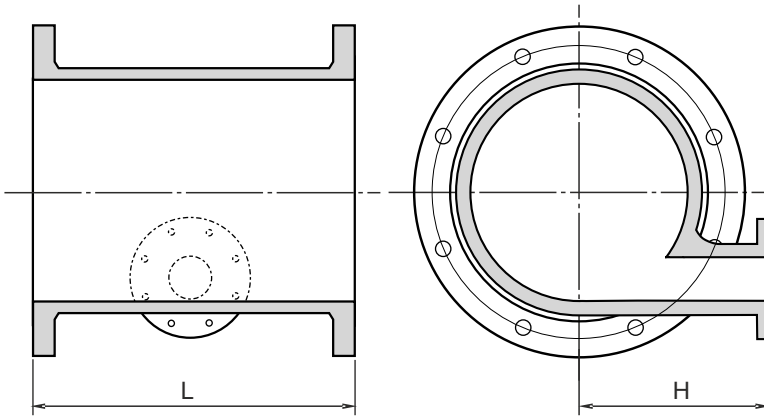
**Double Socket Scour Tee with Flanged Branch**



Nominal Size		L	H
Large DN	Small DN		
200	80	245	250
250	80	250	275
300	80	255	300
350	100	280	325
400	100	280	350
450	100	285	375
500	100	290	400
600	100	295	450
700	150	360	500
800	150	365	550
900	150	370	600
1000	200	435	650
1100	200	440	700
1200	200	445	750
1400	200	460	850
1500	200	465	900
1600	400	700	950
1800	400	715	1050
2000	400	725	1150

Unit mm

## Double Flanged Scour Tee with Flanged

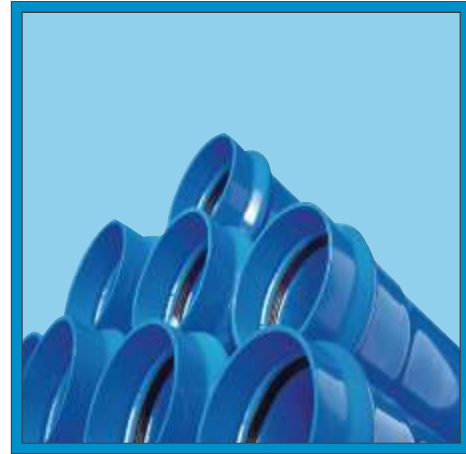


Nominal Size		L	H
Large DN	Small DN		
100	80	360	195
150	80	440	220
200	80	520	250
	100	520	250
250	80	700	275
	100	700	275
300	80	800	305
	100	800	305
	150	800	305
350	80	850	340
	100	850	340
	150	850	340
400	80	900	365
	100	900	365
	150	900	365
	200	900	365
450	80	950	380
	100	950	380
	150	950	380
	200	950	380
500	80	1000	400
	100	1000	400
	150	1000	400
	200	1000	400
600	80	1100	435
	100	1100	435
	150	1100	435
	200	1100	435
700	150	600	500
	200	650	500
800	150	670	540
	200	690	540
900	150	720	580
	200	730	580
1000	150	770	630
	200	770	630
1100	150	800	660
	200	850	660
1200	150	800	700
	200	850	700

Rexus is a designer, manufacturer and supplier of Pipe, Valves, Fittings and Couplings. Our products and services include:



Rexus KII Couplings Flange Adaptors and Dismantling Joints are 100% locally manufactured in sizes 40mm to 1600mm and for pressure ratings of up to PN40 as standard. We offer short lead times.



In addition to Ductile Iron Pipe, Rexus is a large distributor of PVC, HDPE and Steel Pipe in diameters up to 1000 NB. All pipe is supplied with associated Valves and Fittings.



Rexus is the manufacturer and supplier of the AirFlo range of air valves for Water and Sewer pipelines. Air Valves are manufactured in sizes DN25 to DN300 and for pressure ratings of up to PN100. AirFlo air valves have four functions as stand including automatic Surge protection.



Rexus manufactures Double Offset Butterfly valves in sizes DN200 to DN1200 and for pressure ratings PN10 to PN40. Valves are available fusion bonded epoxy coated and in various trim options.



Rexus is the manufacturer and supplier of the CheckFlo range of Nozzle Check, Swing Check and Silent for Water pipelines. Check Valves are manufactured in sizes DN50 to DN1200 and for pressure ratings of up to PN100. CheckFlo valves have low headloss, are maintenance free and prevent Surge.



Rexus is one of the largest manufacturers of fabricated Steel fittings for Water and Wastewater pipelines. Our fittings are manufactured under the VeroFlo brand in sizes DN50 to DN 1600 and for pressure ratings of PN64 as standard. All fittings are fusion bonded epoxy coated as standard.

Rexus provides the most comprehensive, technical, logistical and after sales support in the industry. Try Us!